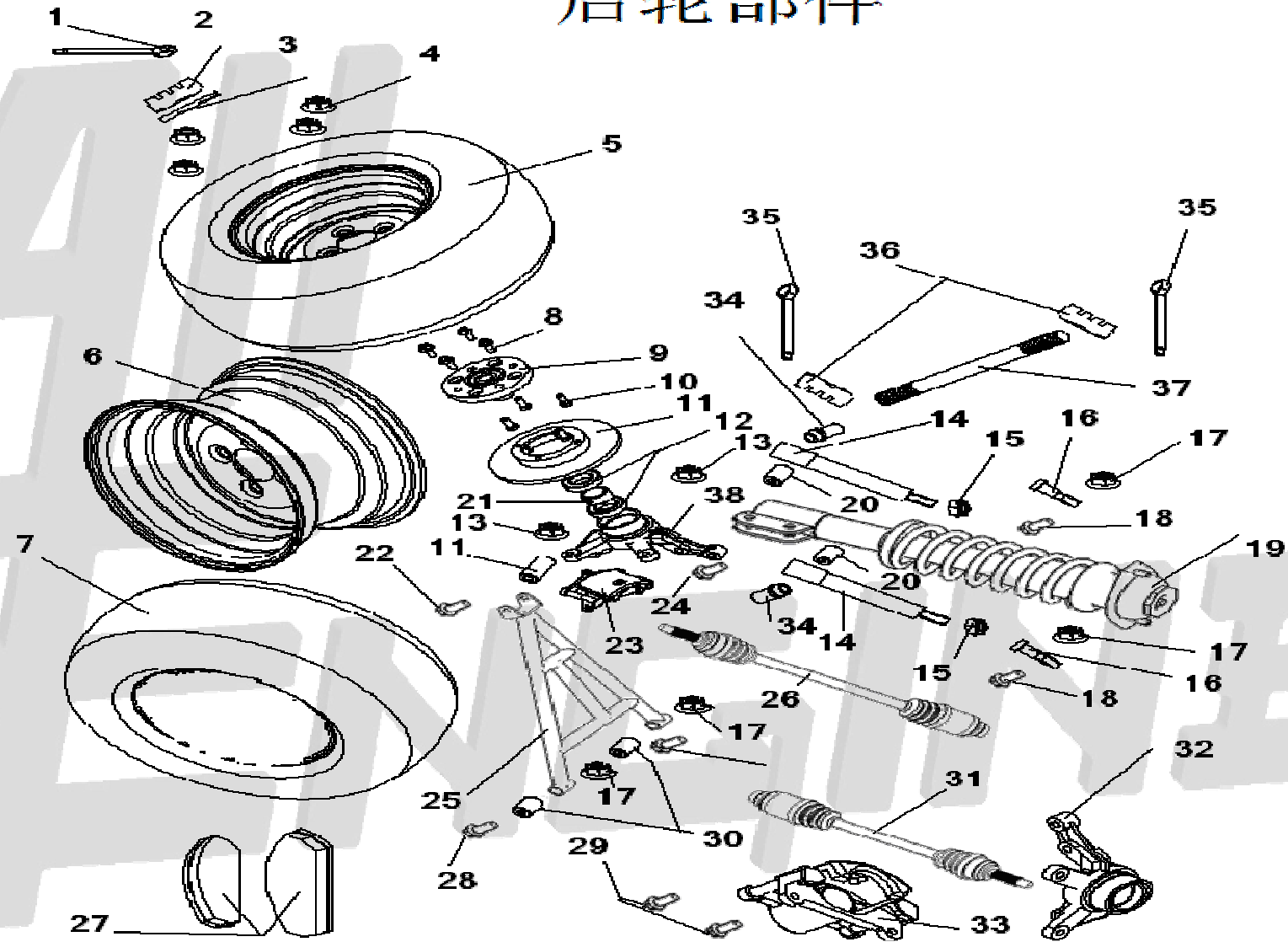


ST650F

后轮部件



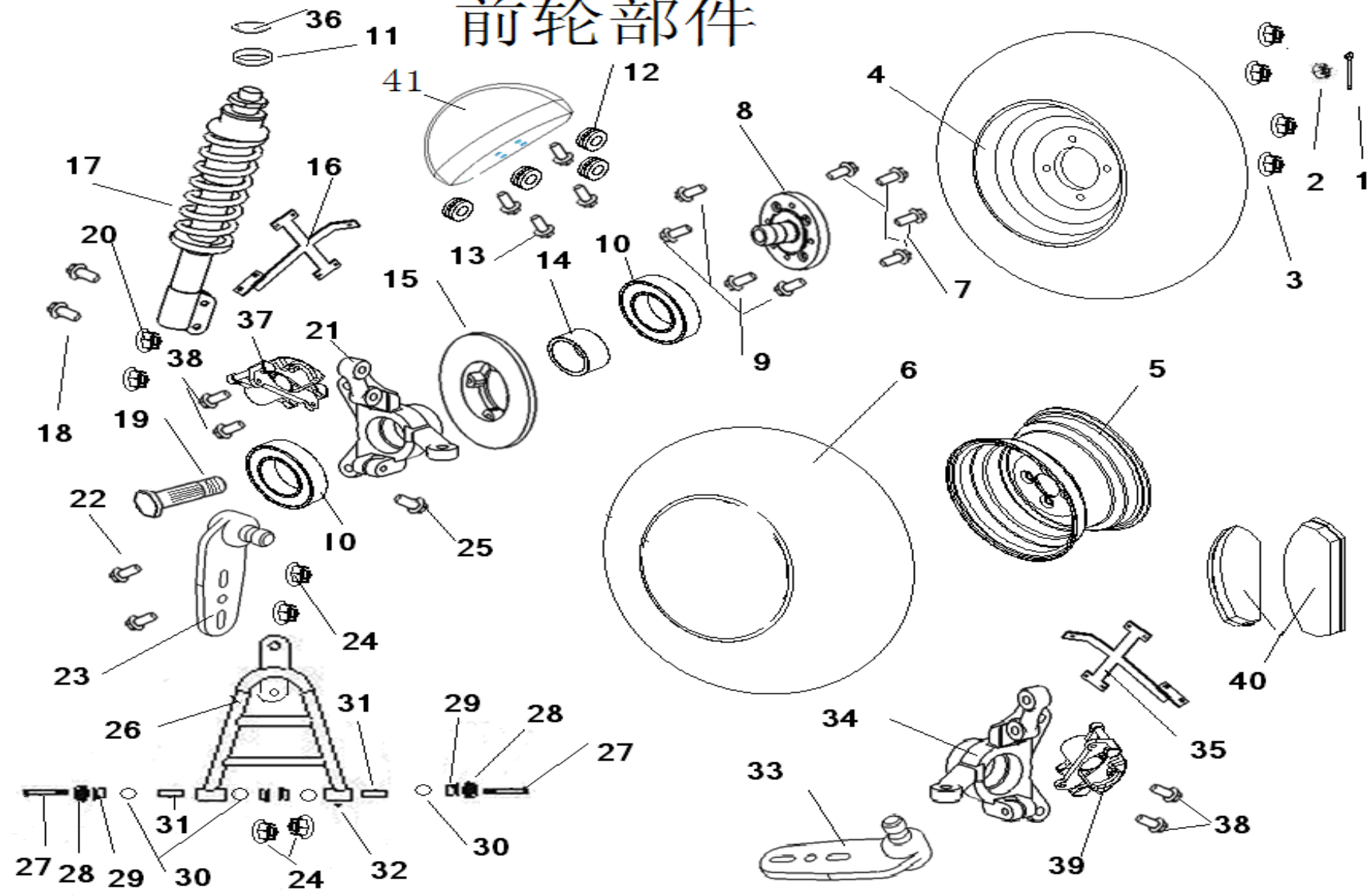
Rear wheel component

N0	Code name	Description	Name	Quantity
1	GB/T91-2000	3.2×32开口销	Hatch dowel	2
2	GB/T6181-1986	M18开槽螺母	Notch nut M18	2
3	WG-034	平垫片	Mat	2
4	WG-400	轮胎螺母	Tyre nut	8
5	WG-109	后轮总成	Rear wheel component	2
6	WG-109-2	后轮钢圈	Rear wheel steel loop	2
7	WG-109-1	后轮胎	Rear tyre	2
8	GB/T5789-1986	M10×30刹车盘螺栓	Six angle flange bolt M10x30	8
9	WG-102	轮毂	Wheel hub	2
10	WG-103	轮毂螺栓	Wheel hub bolt	8
11	WG-123	刹车盘	Brake disk	2
12	GB/T276-1994	6007轴承	Bearing 6007	4
13	GB/T6187.2-2000	M12自锁螺母	Six angle flange locked nut M12	4
14	HJ-400	后上摇臂	Rear down rocker	4
15	GB/T41-2000	M10六角螺母	Six angle flange locked nut M10	4
16	WG-4001	10万向轴承	Universal bearing 10	4
17	GB/T41-2000	M10自锁螺母	Six angle flange locked nut M10	2
18	GB/T5789-1986	M10X30螺栓	Six angle flange bolt M10x30	4
19	WG-114	后减震器	Rear shock absorber	2
20	WG-402	上摇臂尼龙衬套	Up rocker nylon bush	4
21	JG-103	轴承衬套	Bearing bush	2
22	GB/T5789-1986	M12x80螺栓	Six angle flange bolt M12x80	2
23	WG-119	后右刹车泵	Rear brake pump right	1

24	GB/T5789-1986	M12x60螺栓	Six angle flange bolt M12x60	2
25	HJ-103	后下摇臂	Rear down rocker	2
26	WG-104	后右传动轴	Rear transmission axis right	1
27	WG-118	后刹车片	Rear brake disk	2
28	GB/T5789-1986	M10X60螺栓	Six angle flange bolt M10x60	4
29	GB/T5789-1986	M10x25螺栓	Six angle flange bolt M10x25	4
30	WG-402	下摇臂尼龙衬套	Down rocker nylon bush	4
31	WG-105	后左传动轴	Rear transmission axis left	1
32	ZJ-001	后左羊角	Rear leg-of-mutton arm left	1
33	WG-118-1	后左刹车泵	Rear brake pump left	1
34	JG-150	上摇臂铁衬套	Up rocker iron bush	2
35	GB/T91-2000	2.5开口销	Hatch dowel	4
36	GB/T6181-1986	M12开槽螺母	Notch nut M12	4
37	JG-102	12X150双头螺栓	Bolt 12x150	2
38	ZJ-002	后右羊角	Rear leg-of-mutton arm right	1

#ENGINE

前轮部件



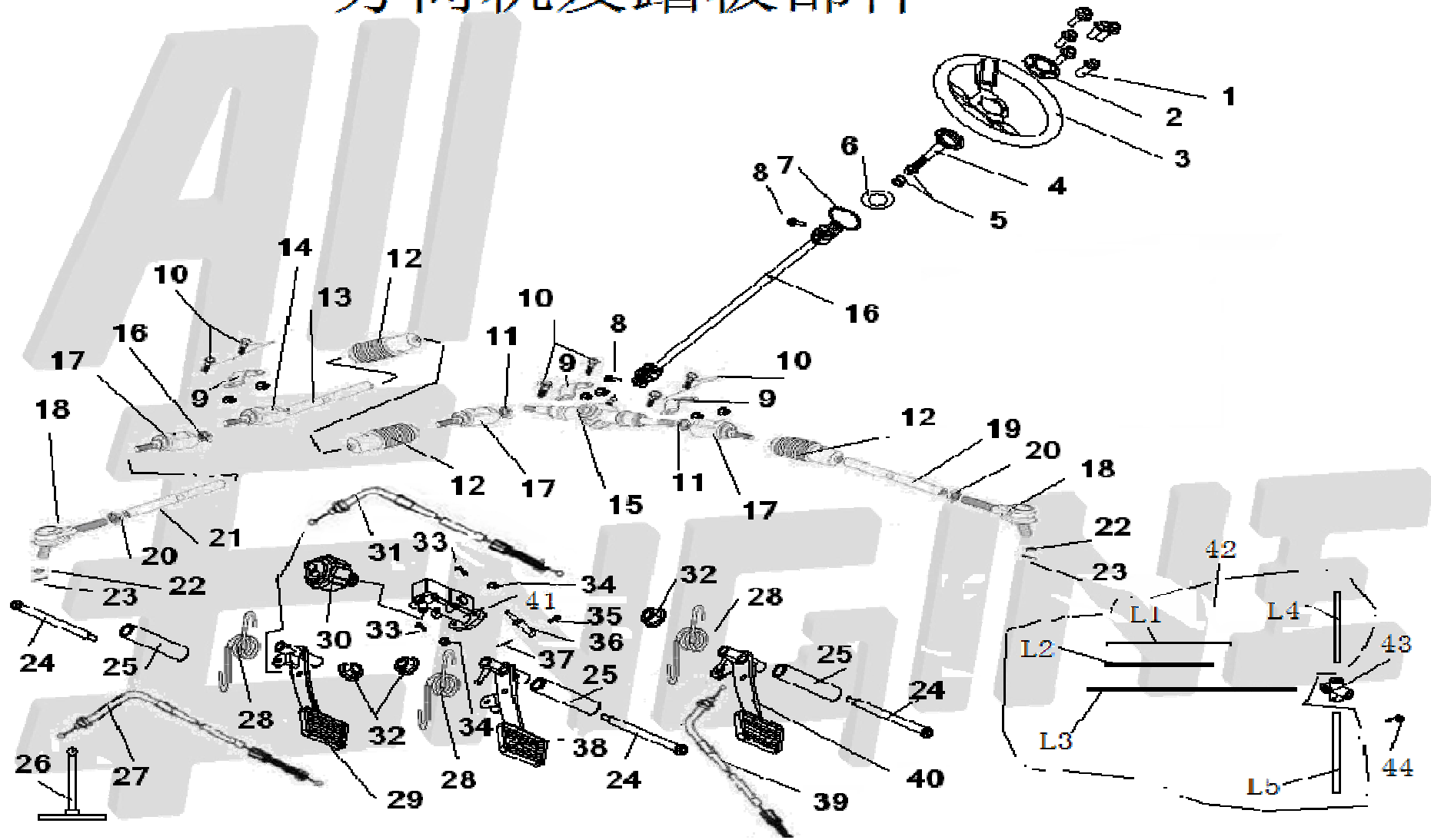
Front wheel component

N0	Code name	Description	Name	Quantity
1	GB/T91-2000	3.2x32开口销	Hatch dowel	2
2	GB/T6181-1986	M18开槽螺母	Notch nut M18	2
3	WG-103	轮胎螺母	Tyre nut	8
4	WG-108	前轮总成	Front wheel component	2
5	WG-108-1	前轮钢圈	Front wheel steel loop	2
6	WG-108-2	前轮胎	Front tyre	2
7	GB/T5789-1986	刹车盘螺栓	Six angle flange bolt M10x30	8
8	WG-102	轮毂	Wheel hub	2
9	WG-103	轮胎螺栓	Tyre bolt	8
10	GB/T6187.2-2000	6007轴承	Bearing 6007	4
11	JG-104	M35前减震螺母	Front shock absorber nut M35	2
12	XS-002	橡胶垫圈	Rubber gasket	8
13	GB/T5789-1986	M8x30螺栓	Six angle flange bolt M8x30	8
14	JG-103	轴承衬套	Bearing bush	2
15	WG-123	刹车盘	Brake disk	2
16	HJ-128	前挡泥板右支架	Front mudguard shelf right	1
17	WG-113	前震器总成	Front shock absorber	2
18	GB/T5789-1986	M12x60螺栓	Six angle flange bolt M10x60	4
19	WG-107	前轮轴	Front axle	2
20	GB/T41-2000	自锁螺母M12x1.25	Six angle flange locked nut M12	4
21	WG-116	前右羊角	Front leg-of-mutton arm right	1
22	GB/T5789-1986	螺栓M10X45	Six angle flange bolt M10x45	4
23	WG-117-1	USG-006右球接头	Ball tie-in USG-006 right	1
24	GB/T6187.2-2000	M10自锁螺母	Six angle flange locked nut M10	8
25	GB/T5789-1986	M10x30螺栓	Six angle flange bolt M10x30	2
26	HJ-104	前下摇臂	Front down rocker	2

27	GB/T5789-1986	M10x80螺栓	Six angle flange bolt M10x80	4
28	CJ-110	防尘圈(悬臂防尘盖)	Dustproof cover	8
29	WG-053	下摇臂尼龙衬套	Down rocker nylon bush	8
30	WG-050	O型圈	O ring	8
31	WG-055	下摇臂安装衬套	Down rocker installing bush	4
32	WG-051	油嘴	Gas tank, Mouth	4
33	WG-117-2	USG-006左球接头	Ball tie-in USG-006 left	1
34	WG-115	前左羊角	Front leg-of-mutton arm left	1
35	HJ-129	前左挡泥板支架	Front mudguard shelf left	1
36	GB/T5789-1986	32卡簧	Spring	2
37	WG-106	前右分泵	Front brake pump right	1
38	GB/T5789-1986	M10x25螺栓	Six angle flange bolt M10x25	4
39	WG-120	前左分泵	Front brake pump left	1
40	WG-120-1	前刹车片	Front brake disk	2
41	XS-014	前挡泥板	Front mudguard	2

ENGINE

方向机及踏板部件

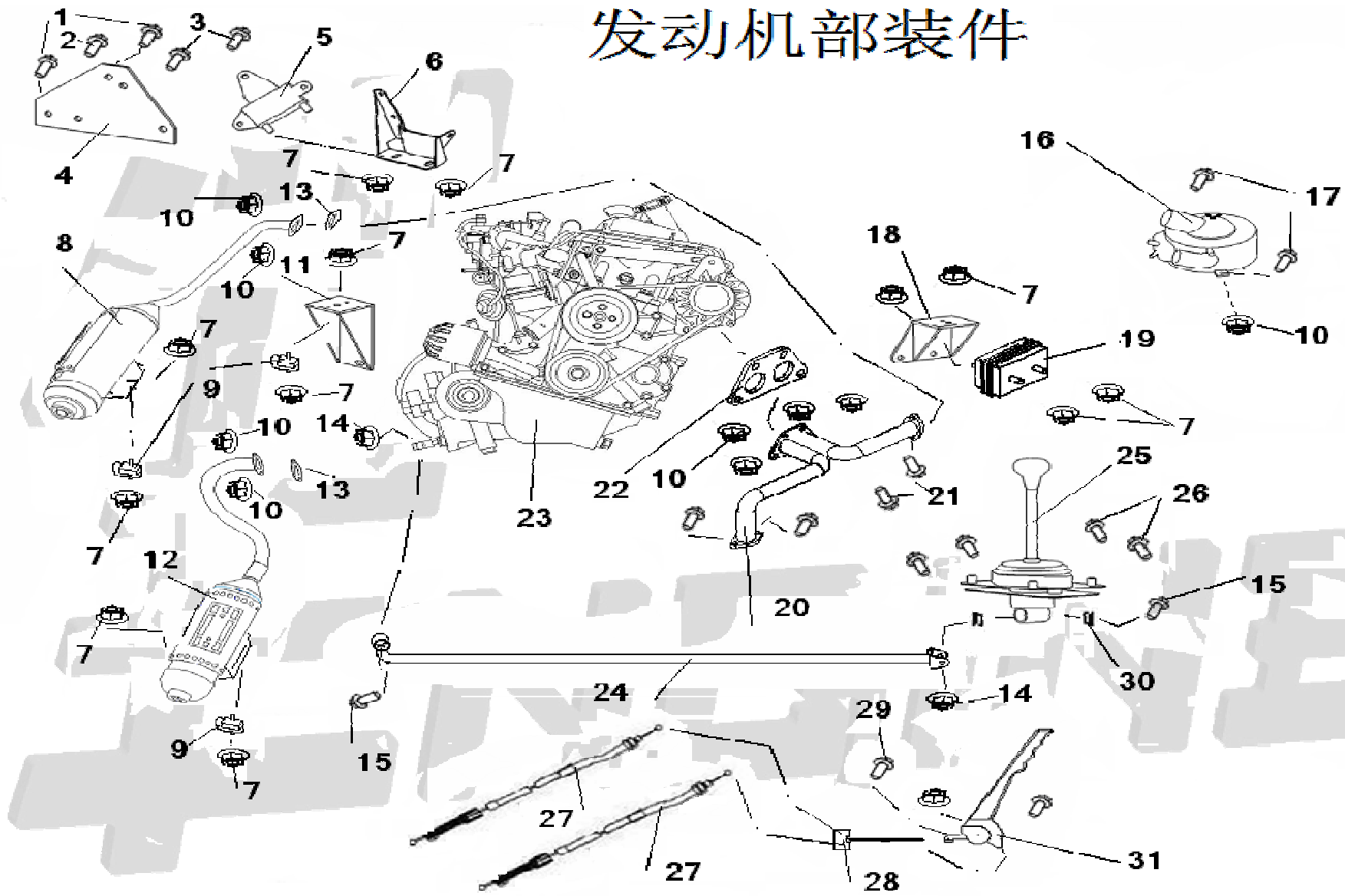


Steering wheel component

N0	Code name	Description	Name	Quantity
1	GB/7.1-2000	内六角圆柱头螺栓M6x16	Inner six angle column bolt M6x16	6
2	WG-025-1	喇叭开关固定座	Horn switch fixation	1
3	WG-025	方向盘	Steering wheel	1
4	JG-136	方向盘固定座	Steering wheel fixation	1
5	WG-060	方向轴尼龙衬套	Steering shaft nylon bush	2
6	WG-4003	20x30x2垫片	Mat	1
7	WG-061	卡簧	Spring	1
8	GB/T5789-1986	M8x30螺栓	Six angle flange bolt M8x30	2
9	CJ-054	方向机固定压板	Redirector fixation	3
10	GB/T5789-1986	M8x25螺栓	Six angle flange bolt M8x25	6
11	GB/T41-2000	M18螺母	Six angle flange locked nut M18	2
12	WG-068	防尘套	Dustproof cover	3
13	WG-126-1	方向机加长轴	Redirector lengthen axis	1
14	WG-4005	加长轴活动套	Cover	1
15	WG-126-1	方向机主体	Redirector main body	1
16	GB/T41-2000	六角螺母M12	Six angle flange locked nut M12	1
17	WG-066	万向机内球头	Redirector inner ball joint	3
18	WG-064	万向外球接头	Redirector outer ball joint	2
19	WG-4004	左连接杆	Left rod	1
20	GB/T41-2000	六角螺母M12	Six angle nut M12	2
21	WG-4005	右连接杆	Right rod	1
22	GB/T6181-1986	开槽螺母M12	Notch nut M12	2
23	GB/T91-2000	开口销 ϕ 16x16	Hatch dowel	2
24	GB/T5789-1986	螺栓M10x110	Six angle flange bolt M10x110	3
25	JG-106	踏板衬套	Brake bush	3
26	HJ-118	风门手柄	Damper handle	1

27	WG-141	风门线	Damper line	1
28	WG-156	踏板弹簧	Brake spring	3
29	WG-151	离合器踏板	Clutch pedal	1
30	WG-121-1	刹车开关	Brake switch	1
31	WG-140	离合器线	Clutch line	1
32	GB/T6187-2000	六角法兰自锁螺母M10x1.25	Six angle flange locked nut M10	3
33	GB/T5789-1986	螺栓M8x35	Six angle flange bolt M8x35	2
34	GB/T6187-2000	六角法兰自锁螺母M8	Six angle flange locked nut M8	8
35	GB/T882-1986	销轴	Dowel axis	1
36	WG-179	主压杆	Main haulm	1
37	GB/T91-2000	开口销	Hatch dowel	1
38	WG-149	刹车踏板	Brake pedal	1
39	WG-139	油门线	Accelerograph line	1
40	WG-150	油门踏板	Throttle pedal	1
41	WG-121	刹车总泵	Brake pump component	1
42	WG-122	刹车油管(L1=L5=900,L2=1200,L3=1900,L4=700)	Brake vitta	2
43	WG-121-1	三通接头	Three connection tie-in	1
44	WG-121-2	油管螺栓	Vitta bolt	10

发动机部装件



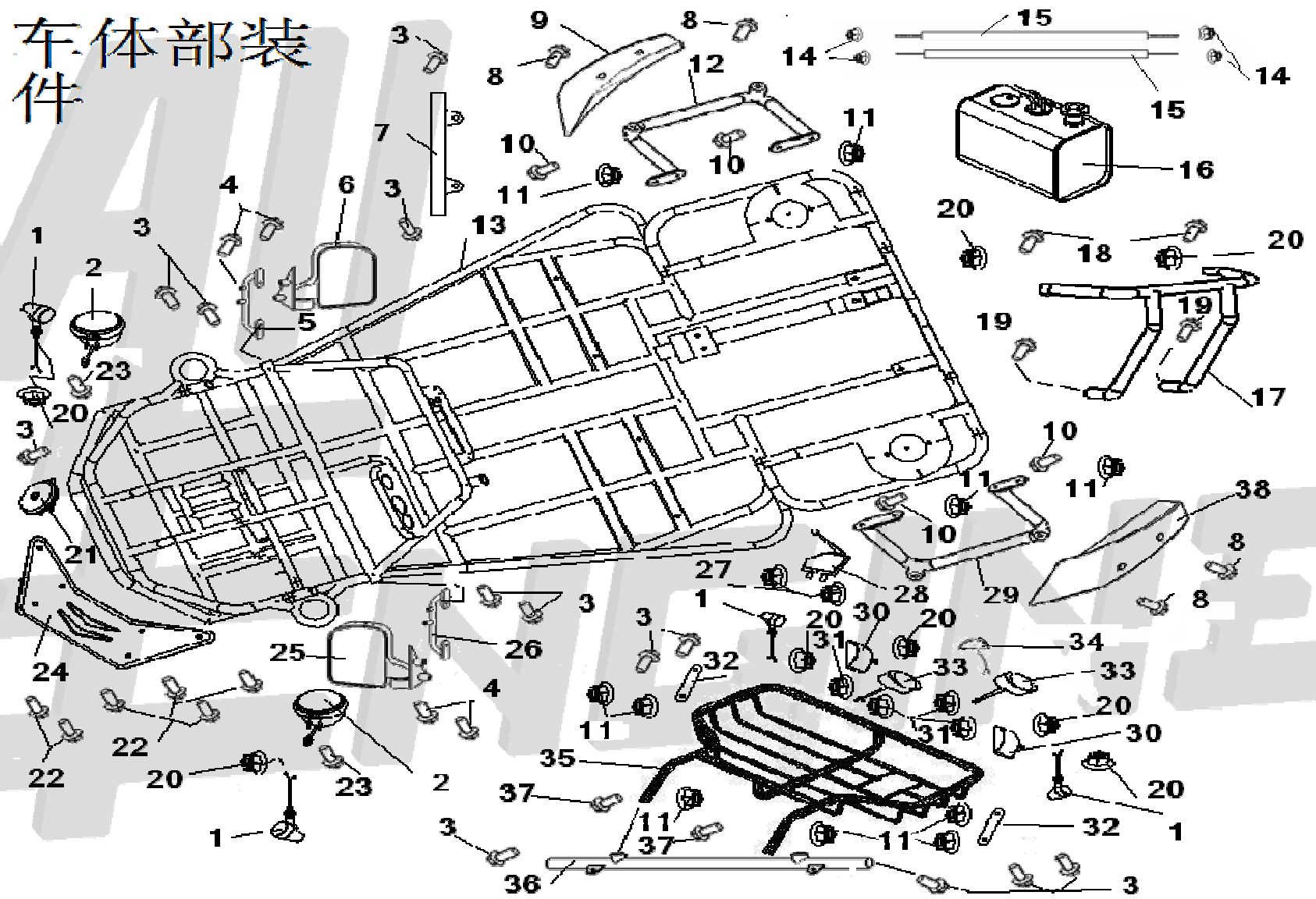
650cc Engine component

N0	Code name	Description	Name	Quantity
1	GB/T5789-1986	六角法兰螺栓M10×30×1.25	Six angle flange bolt	3
2	GB/T5789-1986	六角法兰螺栓M10×35×1.25	Six angle flange bolt	1
3	GB/T5789-1986	六角法兰螺栓M10×50×1.25	Six angle flange bolt	2
4	JG-138	变速箱固定板	Gearbox fixation plate	1
5	WG-232-1	后悬挂软垫	Rear suspension mat	1
6	WG-232-2	后悬挂软垫座	Rear suspension mat seat	1
7	GB/T6187-2000	六角法兰自锁螺母M10×1.25	Six angle flange locked nut	10
8	WG-133-2	650左排气管	Exhaust pipe	1
9	WG-146	发动机中间减震垫	Mat in the middle of engine	3
10	GB/T6187-2000	六角法兰自锁螺母M8	Six angle flange locked nut	11
11	HJ-126	发动机后固定座	Rear fixation seat of engine	1
12	WG-133-3	650右排气管	Exhaust pipe	1
13	WG-134	排气管中间接口垫	Joint mat of exhaust pipe	2
14	GB/T6187-2000	六角法兰自锁螺母M6	Six angle flange locked nut	2
15	JG-105	排挡连接螺栓	Joint bolt	2
16	WG-182-1	650空滤器总成	Air filter component	1
17	GB/T5789-1986	六角法兰螺栓M8×16	Six angle flange bolt	2
18	HJ-125	发动机前固定座	Front fixation seat	1
19	WG-4006	发动机大橡胶垫	Rubber mat	1
20	WG-133-1	排气管接头	Exhaust pipe joint	1
21	GB/T5789-1986	六角法兰螺栓M8×25	Six angle flange bolt	4
22	WG-182-2	发动机接口垫	Joint mat of engine	1
23	WG-182	发动机总成	650cc Engine	1
24	HJ-123	排档杆	Gearbox haulm	1
25	WG-138	排挡机构总成	Gearbox component	1
26	GB/T5789-1986	六角法兰螺栓M6×20	Six angle flange bolt	4

27	WG-144	手刹线	Hand brake line	2
28	WG-142	手刹付线	Hand brake minor line	1
29	GB/T5789-1986	六角法兰螺栓M8x20	Six angle flange bolt	2
30	WG-138-1	排挡防震垫圈	Gearbox shockproof washer	2
31	WG-137	手刹机构总成	Hand brake component	1

ALL-ENGINE

车体部装 件



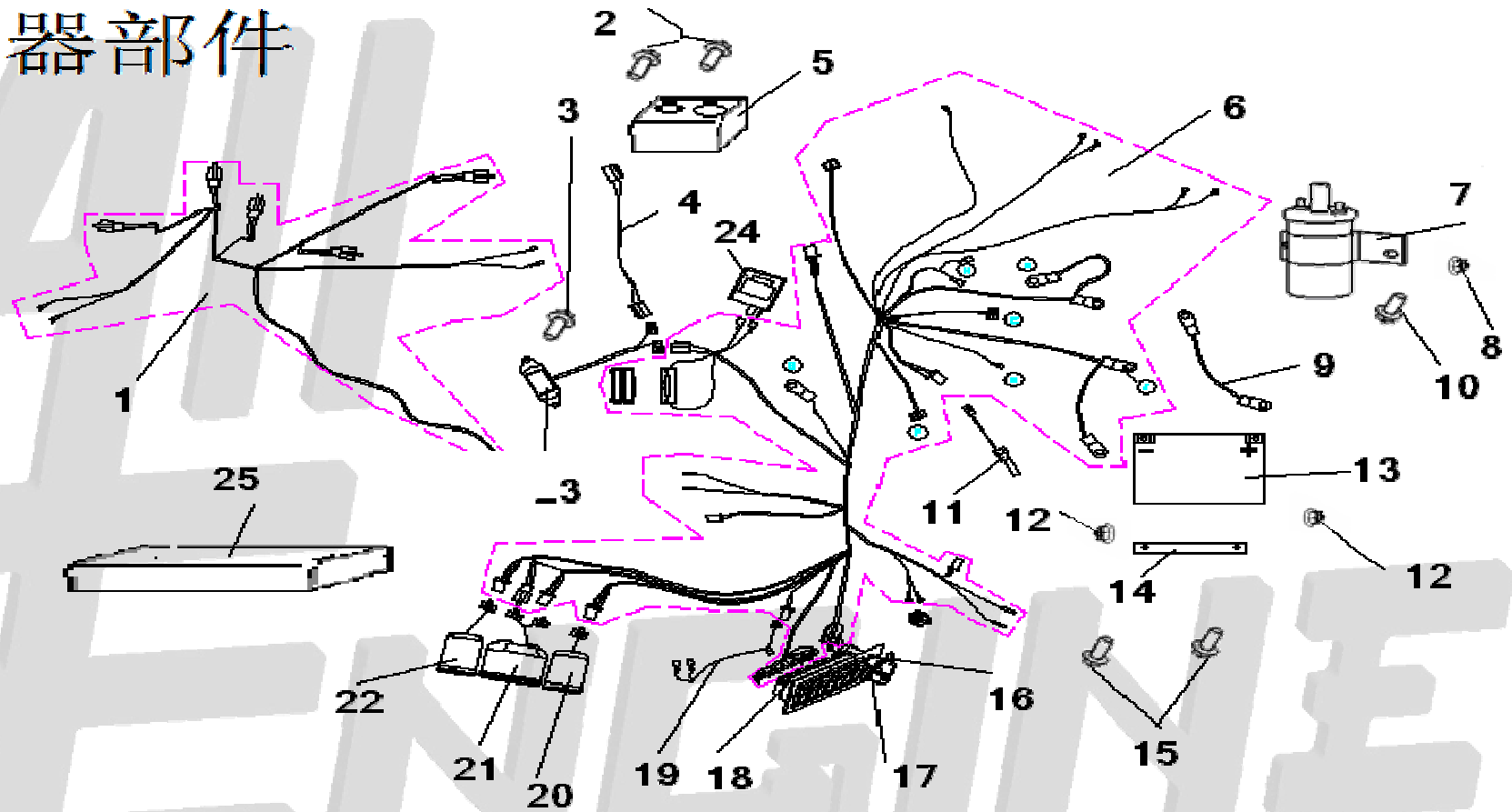
Main Frame component

N0	Code name	Description	Name	Quantity
1	WG-015	转向灯	Turning light	4
2	WG-013	圆大灯	Front big light	2
3	GB/T5789-1986	螺栓M8×16	Six angle flange bolt	13
4	GB/T5789-1986	螺栓M6×12	Six angle flange bolt	4
5	HJ-112	右倒车镜支架	Rear view mirror bracket	1
6	WG-143-1	右倒车镜	Rear view mirror right	1
7	HJ-127	座垫保护杆	Safeguard haulm	1
8	GB/T5789-1986	螺栓M8×25	Six angle flange bolt	4
9	WG-183-1	右后挡泥板	Rear mudguard right	1
10	GB/T5789-1986	螺栓M8×20	Six angle flange bolt	4
11	WG/T6187-1986	六角自锁螺母M8	Six angle flange locked nut	11
12	HJ-110	后右挡泥板支架	Rear mudguard bracket	1
13	HJ-101	主车架	Main frame	1
14	WG/T6187-1986	六角自锁螺母M10	Six angle flange locked nut	4
15	HJ-117	油箱固定带	Fixation belt	2
16	WG-128	油箱总成	Fuel tank component	1
17	HJ-105	后保险架	Rear rack	1
18	GB/T5789-1986	螺栓M10×30×1.25	Six angle flange bolt	2
19	GB/T5789-1986	螺栓M8×20	Six angle flange bolt	2
20	WG/T6187-1986	六角自锁螺母M10×1.25	Six angle flange locked nut	8
21	WG-077	电喇叭	Horn	1
22	GB/T5789-1986	螺栓M8×12	Six angle flange bolt	6
23	GB/T5789-1986	螺栓M10×25×1.25	Six angle flange bolt	2
24	XS-016	前面板	Front panel	1

25	WG-143-2	左倒车镜	Rear view mirror left	1
26	HJ-113	左倒车镜支架	Rear view mirror bracket	1
27	WG/T6187-1986	六角螺母M10	Six angle flange nut	2
28	WG-136	断路器	Circuit breaker	1
29	WG-109	左后挡泥板支架	Rear mudguard bracket	1
30	WG-4006	倒车灯	Reversing light	2
31	WG/T6187-1986	六角螺母M6	Six angle flange nut	4
32	CJ-113	货架固定板	Fixation plate of back shelf	2
33	WG-089	后尾灯	Taillight	2
34	WG-088	牌照灯	License plate light	1
35	CJ-119	后货架	Luggage carrier	1
36	HJ-108	货架固定杆	Fixation haulm of back shelf	1
37	GB/T5789-1986	螺栓M8x50	Six angle flange bolt	2
38	WG-183-2	左后挡泥板	Rear mudguard left	1

ENGINE

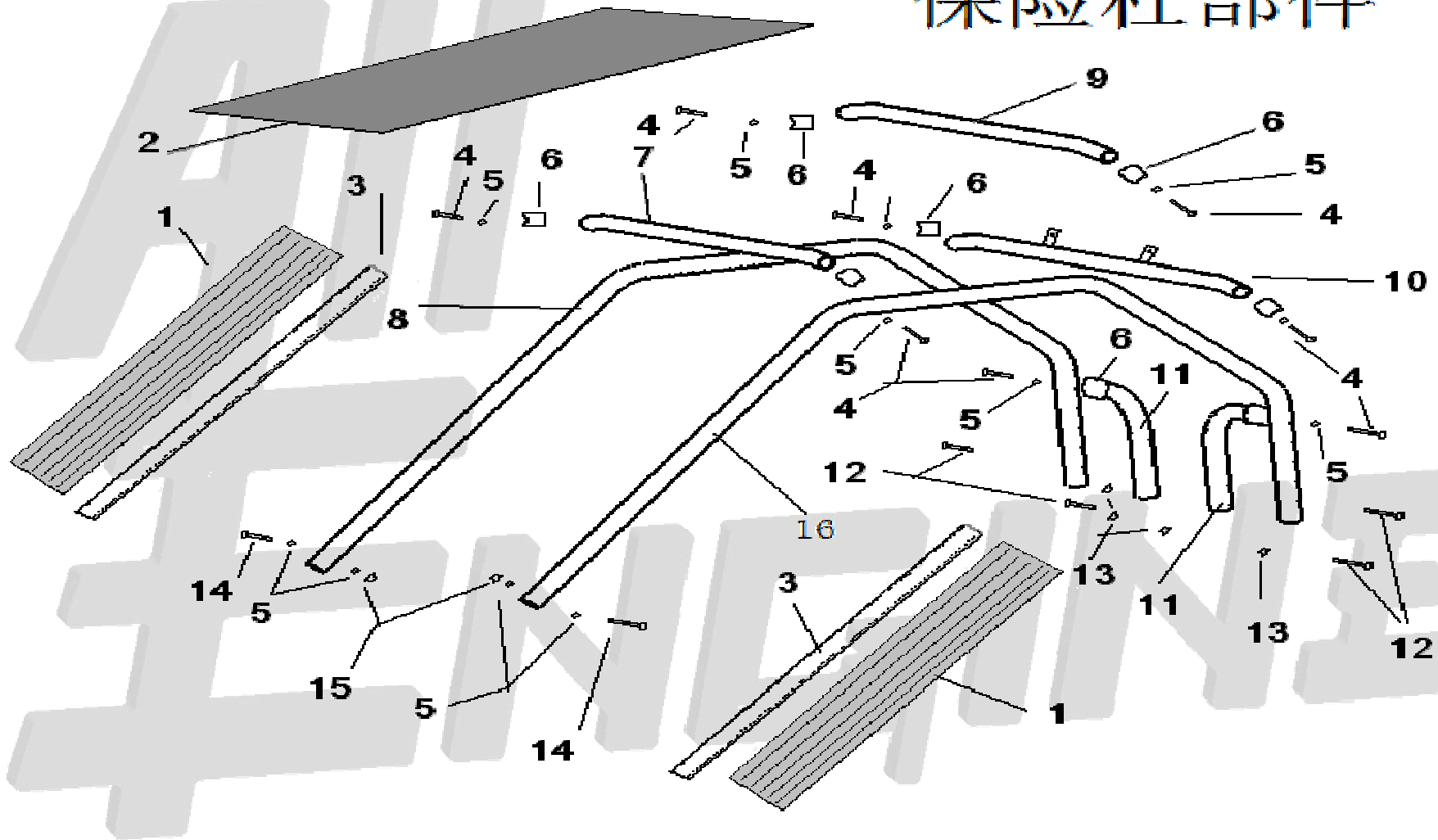
电器部件



Wiring component

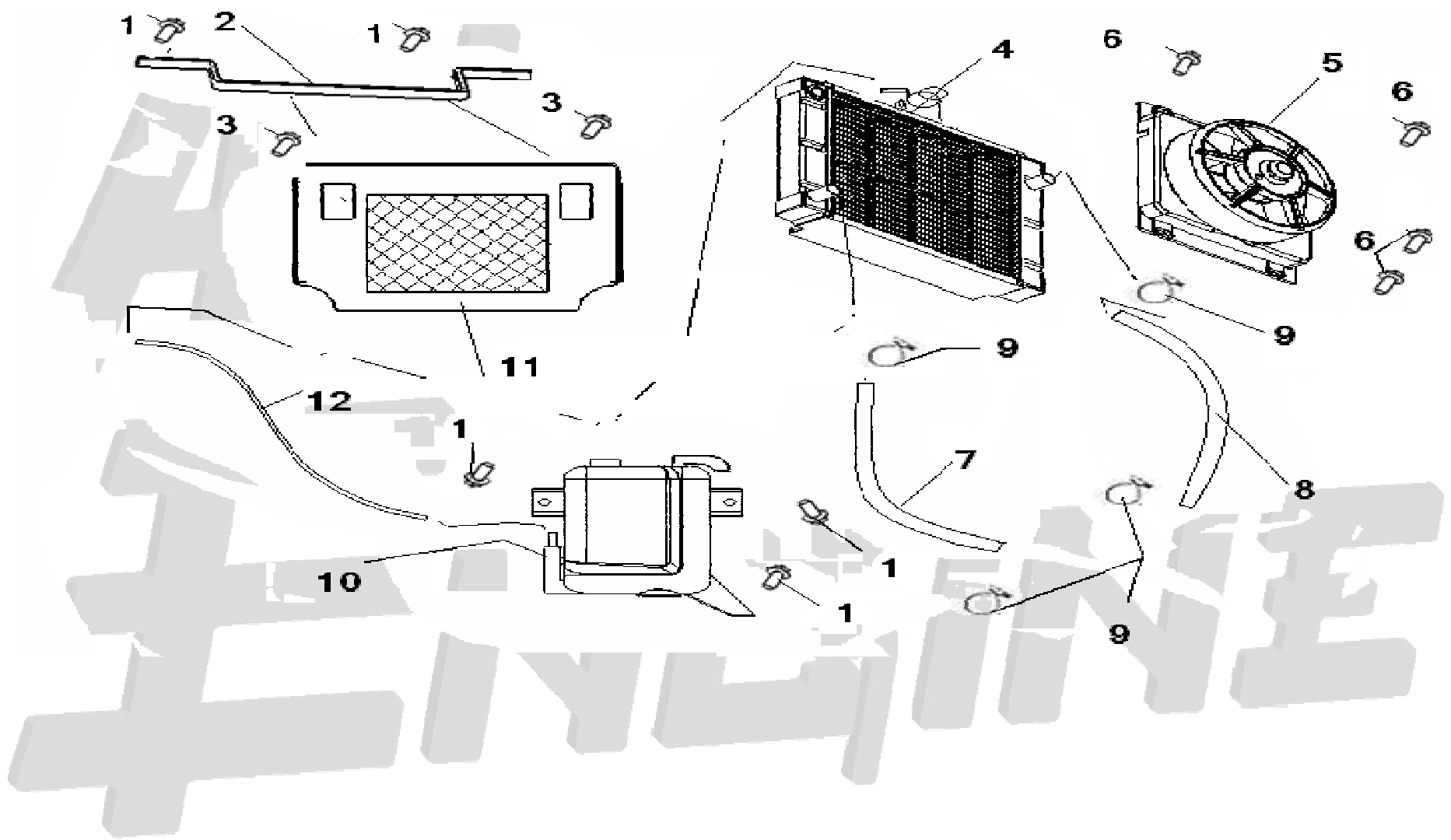
N0	Code name	Description	Name	Quantity
1	JG-139-1	尾灯电缆	Cable for taillight	1
2	GB/T5789-1986	螺栓M8×100	Six angle flange bolt	2
3	GB/T5789-1986	螺栓M6×12	Six angle flange bolt	2
4	JG-139-2	发电机线	Cable for generator	1
5	XS-013	电器盒盖	Cover	1
6	JG-139-3	主电缆	Main cable	1
7	LJ462Q-1-370501DW	高压点火器	High voltage CDI	1
8	WG/T6187-1986	M8自锁螺母	Six angle flange locked nut	1
9	JG-139-4	电源正极线	Anode line	1
10	GB/T5789-1986	螺栓M8×16	Six angle flange bolt	1
11	WG-205	传感线	Sensor line	1
12	WG/T6187-1986	M10自锁螺母	Six angle flange locked nut	2
13	WG-153	蓄电池	Battery	1
14	HJ-124	电池固定压板	Battery fixation plate	1
15	GB/T5789-1986	螺栓M10×120	Six angle flange bolt	2
16	WG-203	点烟器	Smoking meter	1
17	WG-155	电门锁	Lock	1
18	WG-154	七联开关	Seven unit switch	1
19	JG-139-4	喇叭电缆	Horn cable	1
20	WG--148	汽油表	Gasoline meter	1
21	WG-021	LED里程表	LED odometer, speedometer	1
22	WG-020	水温表	Water temperature	1
23	WG-153	电子调节器	Manostat	1
24	WG-010	闪光器	Flasher	1
25	XS-012	电器盒下盖	Cover	1

保險杠部件



Bumper component

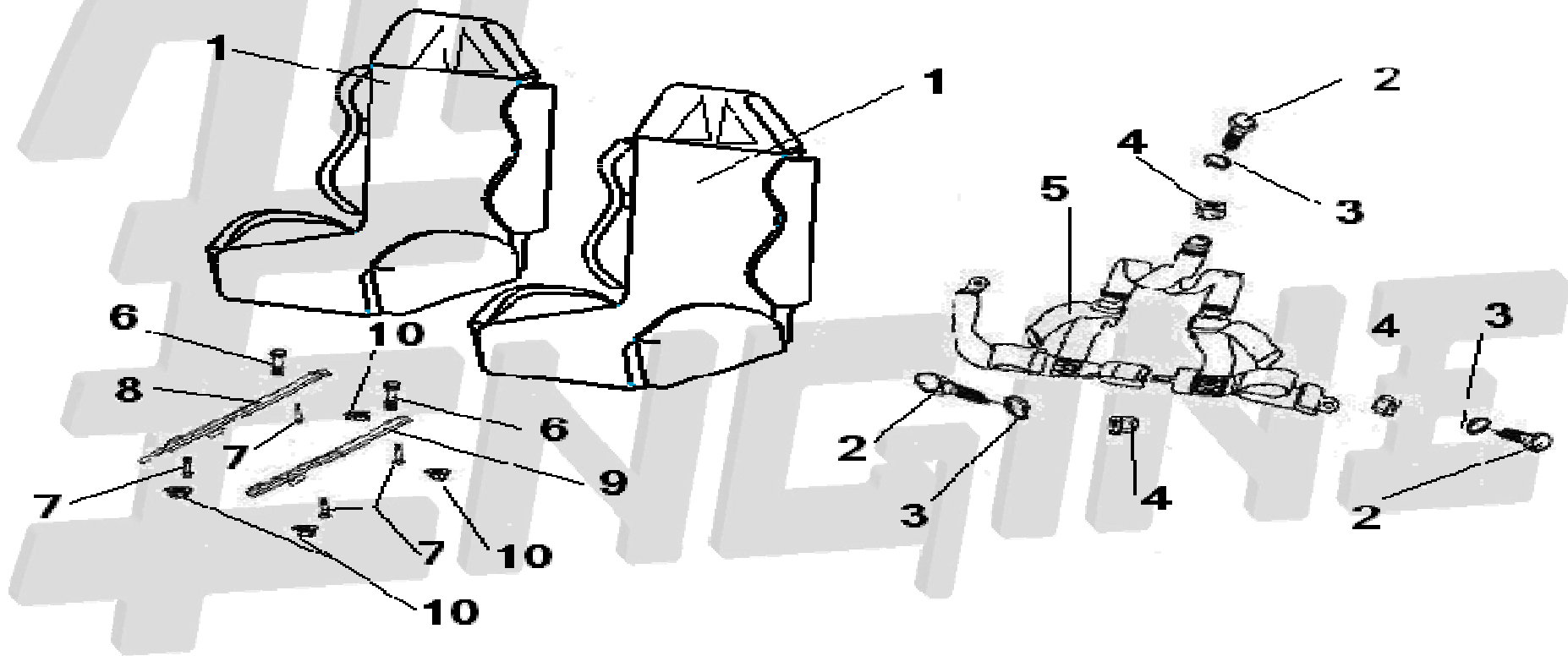
N0	Code name	Description	Name	Quantity
1	WG-241	护套A	Jacket A	2
2	WG-277	顶蓬	Roof	1
3	WG-242	保险杠套管A	Bumper A	2
4	GB/T5789-1986	螺栓M8x50	Six angle flange bolt	8
5	WG-048	"R"垫	R washer	12
6	XS-003	保险杠尼龙衬套	Nylon bush	8
7	HJ-116	保险杠前横管	Front horizontal pipe	1
8	HJ-107	右保险杠	Right bumper	1
9	HJ-115	保险杠中横管	Middle horizontal pipe	1
10	HJ-114	保险杠后横管	Rear horizontal pipe	1
11	HJ-122	"7"字杠	Lever like 7	2
12	GB/T5789-1986	螺栓M10x45	Six angle flange bolt	4
13	GB/T6187.2-2000	六角法兰自锁螺母M10	Six angle flange locked nut	4
14	GB/T5789-1986	螺栓M8x55	Six angle flange bolt	2
15	GB/T6187.2-2000	六角法兰自锁螺母M8	Six angle flange locked nut	2
16	HJ-106	左保险杠	Left bumper	1



Cooling system component

N0	Code name	Description	Name	Quantity
1	GB/T5789-1986	螺栓M8×16	Six angle flange bolt	5
2	CJ-114	水箱固定板	Fixation plate	1
3	GB/T5789-1986	螺栓M6×35	Six angle flange bolt	2
4	WG-129	水箱	Radiator, Water tank	1
5	WG-130	风扇	Fan	1
6	GB/T5789-1986	螺栓M6×25	Six angle flange bolt	4
7	WG-132-1	水管A	Pipe A	1
8	WG-132-2	水管B	Pipe B	1
9	WG-276	水管卡圈32(水管夹)	Pipe clip	4
10	WG-049	副水箱	Minor water tank	1
11	WG-147	水箱保护罩	Safety cover	1
12	WG-160	副水箱回水管	Return pipe	1

座墊及保險帶部件



Seat and safety belt component

N0	Code name	Description	Name	Quantity
1	WG-125	双眼孔座垫	Seat	2
2	WG-100-1	保险带专用螺母	Nut	6
3	GB/T93-1987	弹簧垫	Spring mat	6
4	GB/T41-2000	螺母M10	Six angle flange nut	6
5	WG-100	保险带	Safety belt	2
6	GB/T6187.2-2000	内六角螺栓M8x55	Inner six angle flange bolt	4
7	GB/T70.1-2000	内六角螺栓M8x30	Inner six angle flange bolt	8
8	WG-124-1	左滑轨	Left slide track	2
9	WG-124-2	右滑轨	Right slide track	2
10	GB/T6187.2-2000	自锁螺母M8	Six angle flange locked nut	2