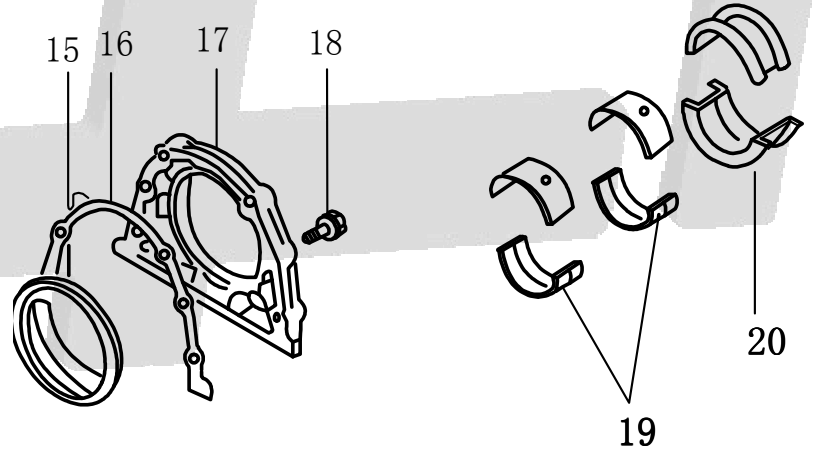
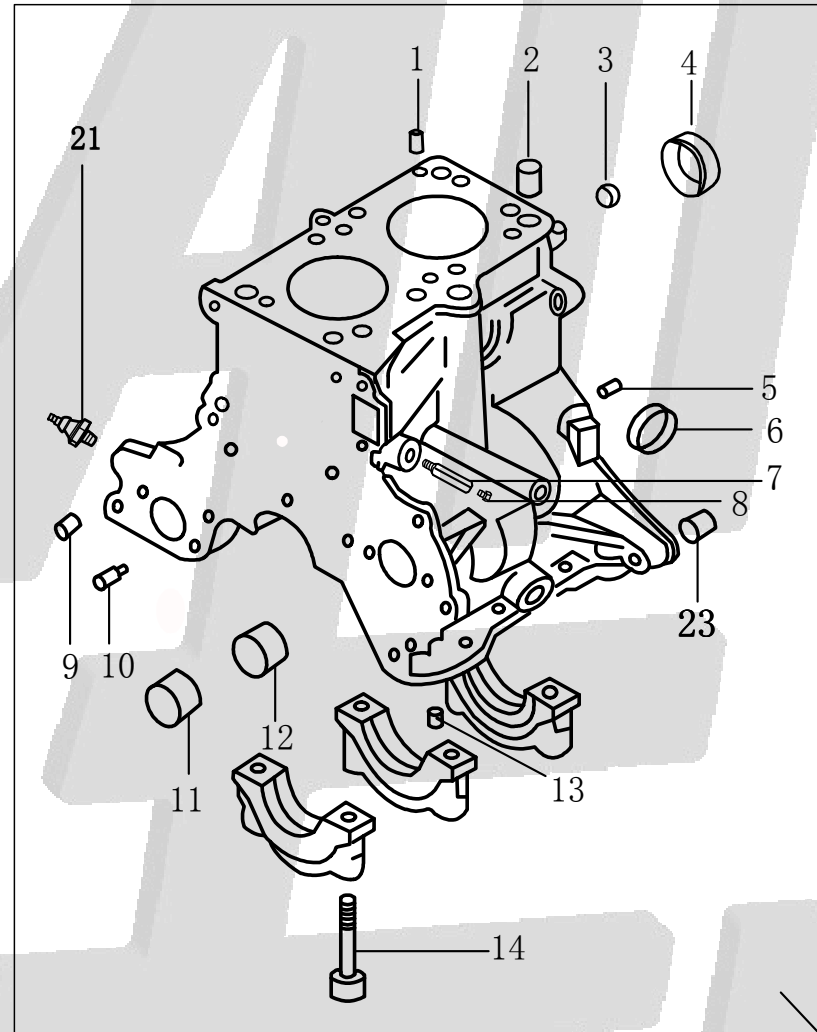


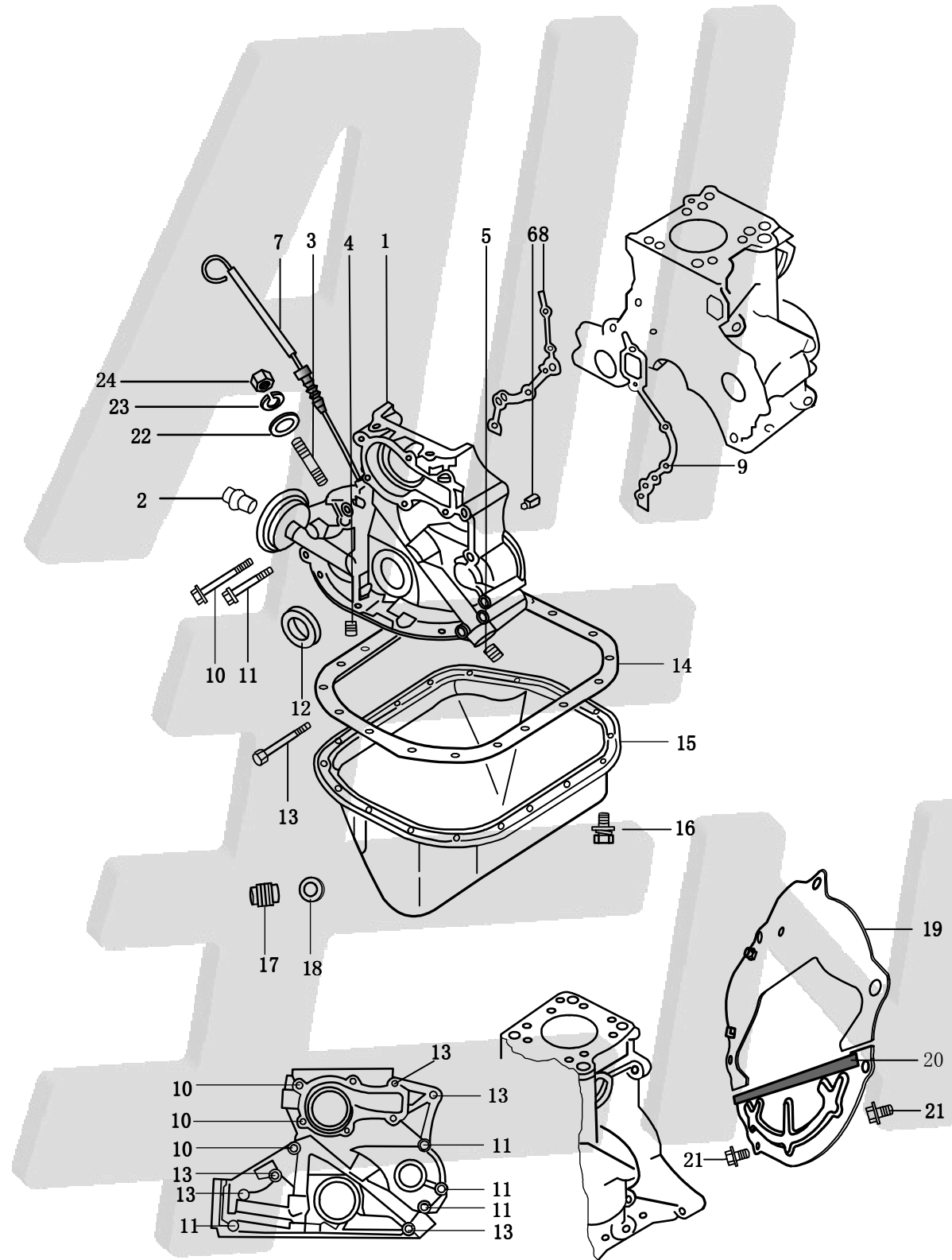
# 机体部件

## CYLINDER BLOCK PART



序号 No.	件号 Code name	名称 Description		数量 Qty
		中文 Chinese	英文 English	
1	270Q-02009	润滑油量孔塞	Lubricating oil jet plug	1
2	LJ462Q-1-1000028D	气缸盖定位销 $\phi 14 \times 14$	Cylinder head locating pin $\phi 14 \times 14$	2
3	QTB55	堵塞 $\phi 10.5 \times 7$	Plug $\phi 10.5 \times 7$	1
4	QTB54	碗形塞片 $\phi 40$	Calathiform plug $\phi 40$	1
5	GB/T119-1986	销 $\phi 6 \times 18$	Pin $\phi 6 \times 18$	2
6	QTB542	碗形塞片 $\phi 30$	Calathiform plug $\phi 30$	3
7	270Q-02013	放水阀接管	Tie-in pipe of drive valve	1
8	QTB28	六角头锥形螺塞 NPT1/4	Hexagon-headed taper bolt NPT1/4	1
9	QTB42	空心定位销 $\phi 11 \times 12$	Hollow-swage locating pin $\phi 11 \times 12$	2
10	270Q-02004	喷管	Jetting pipe	1
11	270Q-02003	平衡轴前轴承	Front bearing of balancing shaft	2
12	270Q-02011	平衡轴后轴承	Rear bearing of balancing shaft	2
13	QTB54	碗形塞片 $8 \times 9$	Calathiform plug $8 \times 9$	1
14	270Q-02102	主轴承盖螺栓	Main bearing cap bolt	6
15	QTB53A	单向回流曲轴后油封 FB60 $\times$ 78 $\times$ 7	Crankshaft rear oil seal with unidirectional flow around FB60 $\times$ 78 $\times$ 7	1
16	270Q-02008	后油封座垫片	Rear oil seal seat gasket	1
17	270Q-02007A	后油封座	Rear oil seal seat	1
18	LJ462Q-1-1000082D	曲轴后端盖带缘螺栓	Shouldered tap bolt of the after end cap of crankshaft	4
19	270Q-04007	曲轴轴瓦	Crankshaft bearing bushing	4
20	270Q-04008	曲轴止推轴瓦	Crankshaft thrust bearing bushing	2
21	270Q-02006C	油压报警器	Oil pressure annunciator	1
22	276Q-0210D	机体及轴承盖部件	Cylinder block and bearing cap assembly	1
23	QTB42	空心定位销 $\phi 13 \times 15.5$	Hollow-swage locating pin $\phi 13 \times 15.5$	2

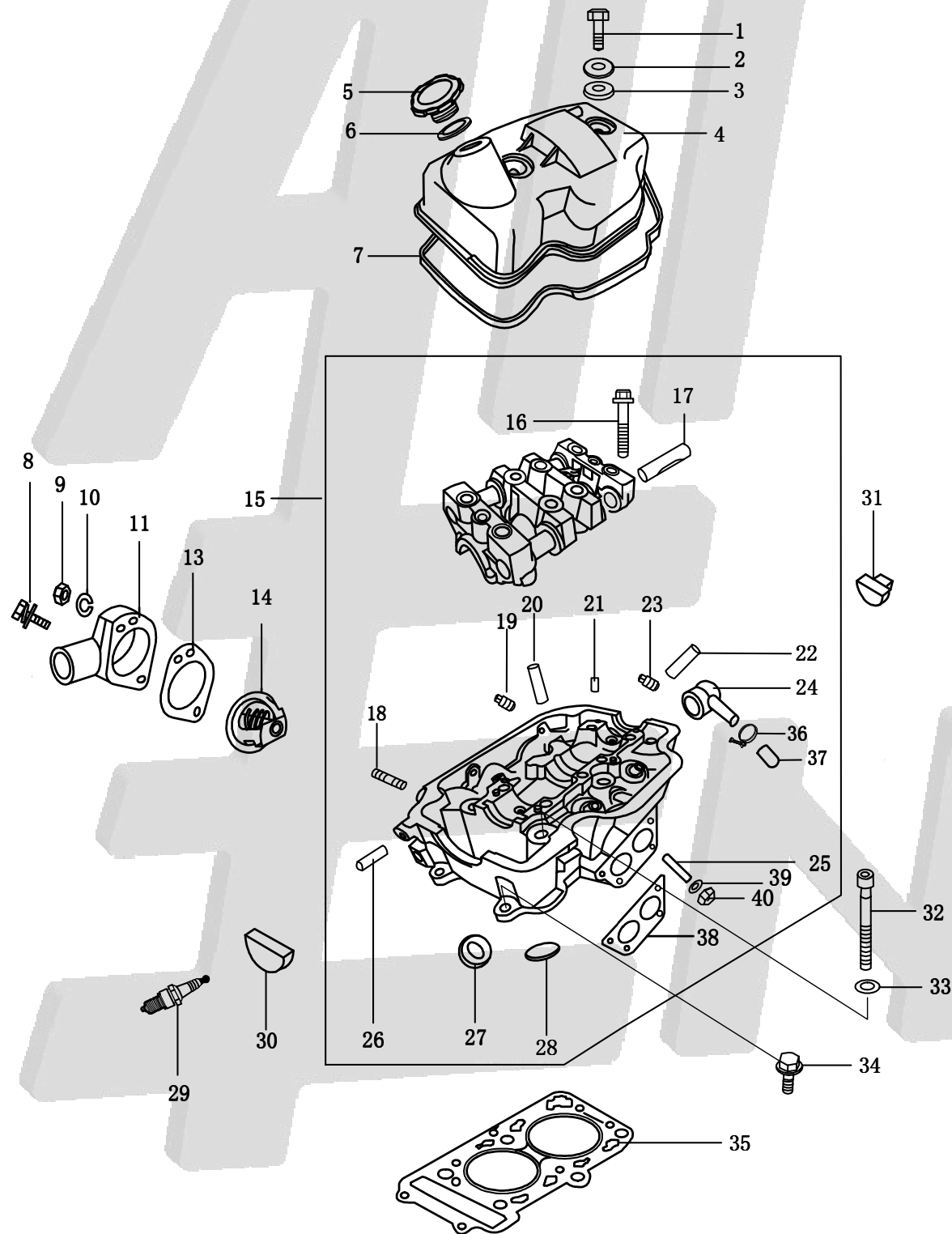
链轮室及油底壳部件  
SPROCKET COVER AND OIL PAN PART



序号 No.	件号 Code name	名称 Description		数量 Qty
		中文 Chinese	英文 English	
1	276Q-02211	链轮室	Sprocket cover	1
2	270Q-02202	机油滤清器接头	Oil filter tie-in	1
3	GB/T900-88	螺柱 AGM8-M8×22-8.8	Taper bolt AGM8-M8×22-8.8	1
4	QTB23	六角头槽锥形螺塞 NTP1/4	Hexagon-headed taper bolt NTP1/4	1
5	QTB23	六角头槽锥形螺塞 NTP3/8	Hexagon-headed taper bolt NTP3/8	1
6	270Q-02004	喷管	Jetting pipe	1
7	LJ276MT-2-02400	油标尺部件	Dipstick	1
8	-02001	链轮室左垫片	Left gasket of sprocket cover	1
9	-02002	链轮室右垫片	Right gasket of sprocket cover	1
10	QTB10	六角带缘螺栓 M8×88	Hexagon-headed bolt with edge M8×88	3
11	QTB10	六角带缘螺栓 M8×68	Hexagon-headed bolt with edge M8×68	4
12	QTB53A	单向回流曲轴前油封 FB35×50×8	Crankshaft rear oil seal with unidirectional flow around FB35×50×8	1
13	QTB10	六角带缘螺栓 M8×78	Hexagon-headed bolt with edge M8×78	3
14	270-02005A	油底壳垫片	Oil Pan gasket	1
15	LJ276MT-2-02300	油底壳部件	Oil Pan assembly	1
16	GB/T9074.17-1988	螺栓组合件 M6×12	Bolt assembly M6×12	18
17	QTB24	放油螺塞 M14×1.5	Drain Plug M14×1.5	1
18	270Q-02303B	放油螺塞垫片	Drain Plug gasket	1
19	LJ276MT-2-02500	离合器上隔板总成	Upper baffle plate assembly of clutch	1
20	LY-1701220-01	3/4 档总成	Third and fourth gear assembly	1
21	QTB10	六角带缘螺栓 M6×10	Hexagon-headed bolt with edge M6×10	2
22	QTB30	厚垫圈 φ24×φ8.5×3	Thick washer φ24×φ8.5×3	1
23	GB/T93-1987	弹簧垫圈 8	Spring washer 8	1
24	QTB15	螺母 M8-8	Nut M8-8	1

# 气缸盖部件

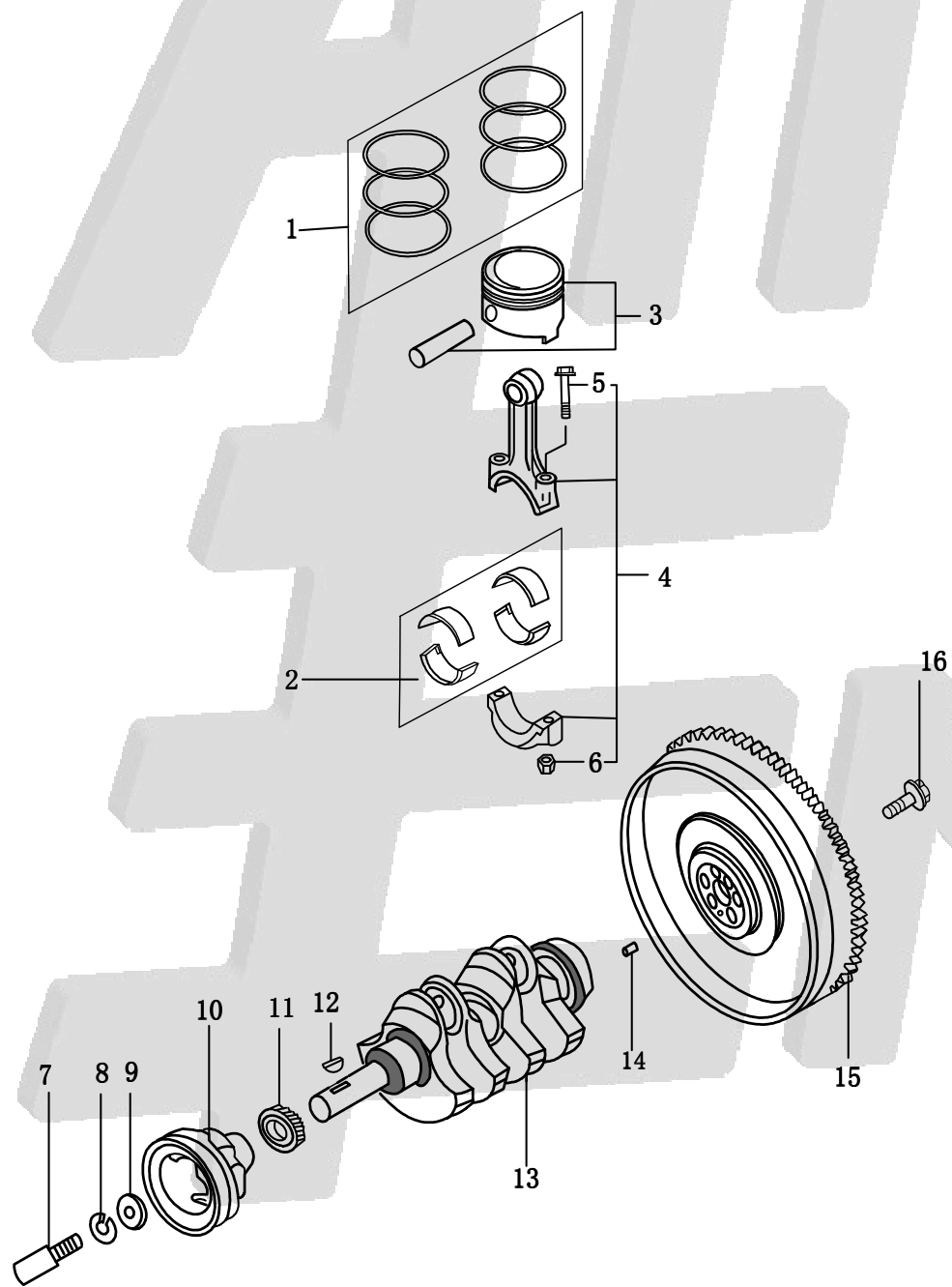
## CYLINDER HEAD PART



序号 No.	件号 Code name	名称 Description		数量 Qty
		中文 Chinese	英文 English	
1	GB/T5782-1986	螺栓 M8×40	Bolt M8×40	2
2	270Q-01009	气缸盖罩螺钉垫片	Gasket of cylinder head cover bolt	2
3	270Q-01011	气缸盖罩螺钉橡胶垫	Rubber pad of cylinder head cover bolt	2
4	276Q-01300	气缸盖罩部件	Cylinder head cover assembly	1
5	270Q-01400B	加油口盖部件	Filler cap assembly	1
6	270Q-01403	加油口盖胶垫	Filler cap cushion	1
7	270Q-01012B	气缸盖罩密封圈	Seal ring of cylinder head cover	1
8	GB/T9074.17-1988	组合螺栓 M8×30	Unit bolt M8×30	1
9	QTB15	螺母 M8-8	Nut M8-8	5
10	GB/T93-1987	弹簧垫圈 φ8	Spring washer φ8	5
11	276MT-2-01017	节温器盖	Thermostat cap	1
13	270Q-01016	节温器盖垫片	Thermostat cap gasket	1
14	270Q-01015	节温器	Thermostat	1
15	270Q-01100	气缸盖与凸轮轴瓦盖部件	Cylinder head and camshaft bearing bushing cap assembly	1
16	270Q-01109	凸轮轴轴瓦盖螺钉	Camshaft bearing bushing cap bolt	8
17	270Q-01007	气门摇臂轴	Valve rocker arm shaft	4
17a	GB/T898-1988	螺柱 AGM8-M8×25-8.8	Stud AGM8-M8×25-8.8	4
18	GB/T899-88	螺柱 ACM8-M8×28-8.8	Stud AGM8-M8×28-8.8	
19	QTB26	四方头锥形螺塞 NPT1/8"	Square head taper plug NPT1/8"	1
20	270Q-01104	进气门导管	Inlet valve guide	2
21	QTB40	定位销 φ6×14	locating pin φ6×14	6
22	270Q-01105	排气门导管	Exhaust valve guide	2
23	QTB23	六角头槽锥形螺塞 NPT3/8"	Hexagon-headed taper plug NPT3/8"	1
24	270Q-01023A	暖风水管	Hot air water pipe	1
25	GB/T898-1988	螺柱 AGM8-M8×20-8.8	Stud AGM8-M8×20-8.8	4
26	270Q-01018	小循环水管	Minor cycle water pipe	1
27	270Q-01102	进气门座	Intake valve seat	2
28	270Q-01103B	排气门座	Exhaust valve seat	2
29	270Q-01019B	水温报警器	Water Temperature warner	1
30	270Q-01013	前半圆胶封	Front Semi-Circle Oil Seal	1
31	270Q-01014	后半圆胶封	Rear Semi-Circle Oil Seal	1
32	270Q-01022	气缸盖螺栓	Cylinder head bolt	6
33	GTB30	厚垫圈 φ21×φ11×3	Thick washer φ21×φ11×3	6
34	GB/T9074.17-1988	螺栓组合件 M8×30	Bolt assembly M8×30	2
35	276Q-01021	气缸盖垫片	Cylinder head gasket	1
36	270Q-01025	暖风水管胶塞	Rubber plug of hot air water pipe	1
37	ZB/TT32005.1-88	双钢丝式环 20	Shell ring with double steel wire 20	1
38	270Q-01024	排气管垫片	Exhaust pipe gasket	1
39	GB/T93-1987	垫圈 8	Washer 8	4
40	QTB15	螺母 M8-8	Nut M8-8	4

活塞、连杆、曲轴部件

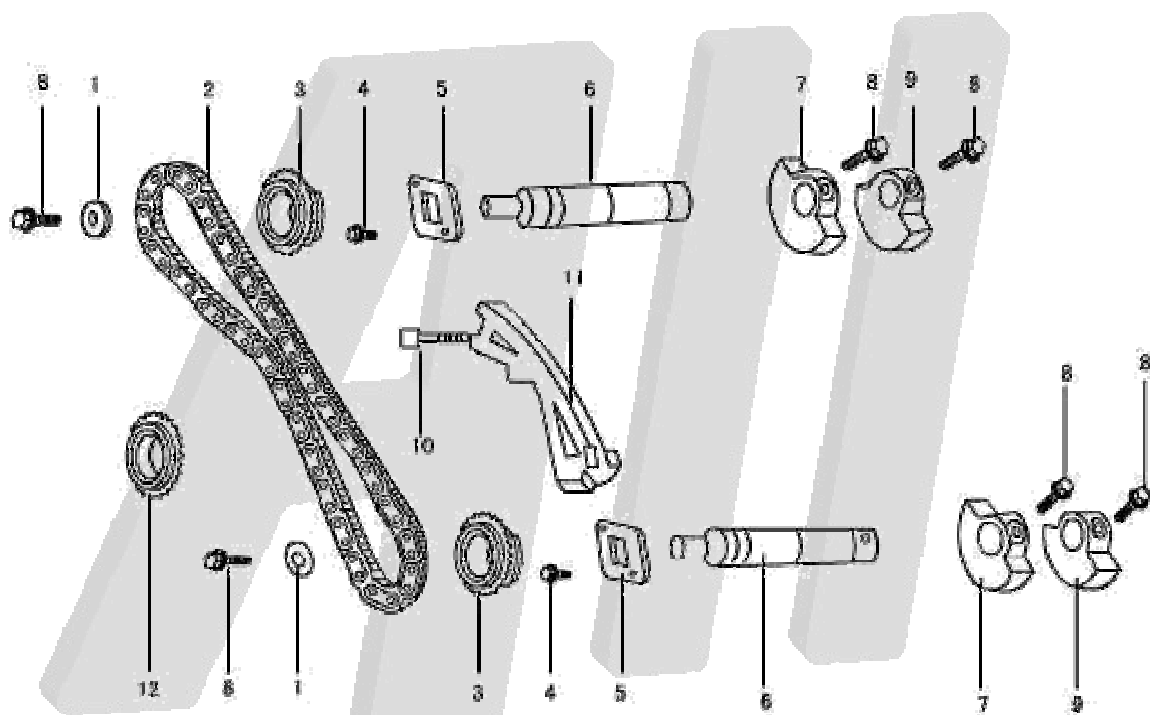
PISTON & CONNECTING ROD AND CRANKSHAFT PART



序号 No.	件号 Code name	名称 Description		数量 Qty
		中文 Chinese	英文 English	
1	276Q-03002	活塞环组件 (1)	Piston ring kit (1)	2
	276Q-03003	活塞环组件 (2)	Piston ring kit (2)	2
	276Q-03200	活塞环组件 (3)	Piston ring kit (3)	2
2	270Q-03006	连杆轴瓦	Connecting rod bearing	4
3	276Q-03001	活塞	Piston	2
	276Q-03004B	活塞销	Piston Pin	2
4	270Q-03100	连杆部件 (1)	Connecting rod assembly (1)	2
		连杆部件 (2)	Connecting rod assembly (2)	2
5	270Q-03103	连杆螺栓	Connecting rod bolt	4
6	270Q-03104	连杆螺母	Connecting rod nut	4
7	270Q-04001	曲轴固紧螺钉	Crankshaft fastening bolt	1
8	GB/T859-1987	弹簧垫圈 12	Spring washer 12	1
9	270Q-04002	垫圈	Washer	1
10	270Q-04003	曲轴皮带轮	Crankshaft belt pulley	1
11	270Q-04004A	传动斜齿轮	Driven bevel gear	1
12	QTB44	半圆键 4×19	Woodruff key 4×19	2
13	276Q-04006B	曲轴	Crankshaft	1
14	LJ462Q-1-1000135D	飞轮定位销	Locating pin of fly wheel	1
15	LJ368Q-1005011	飞轮齿圈总成	Ring gear assembly of fly wheel	1
16	LJ462Q-1-1005014D	飞轮紧固螺栓	Clamp bolt fly wheel	6

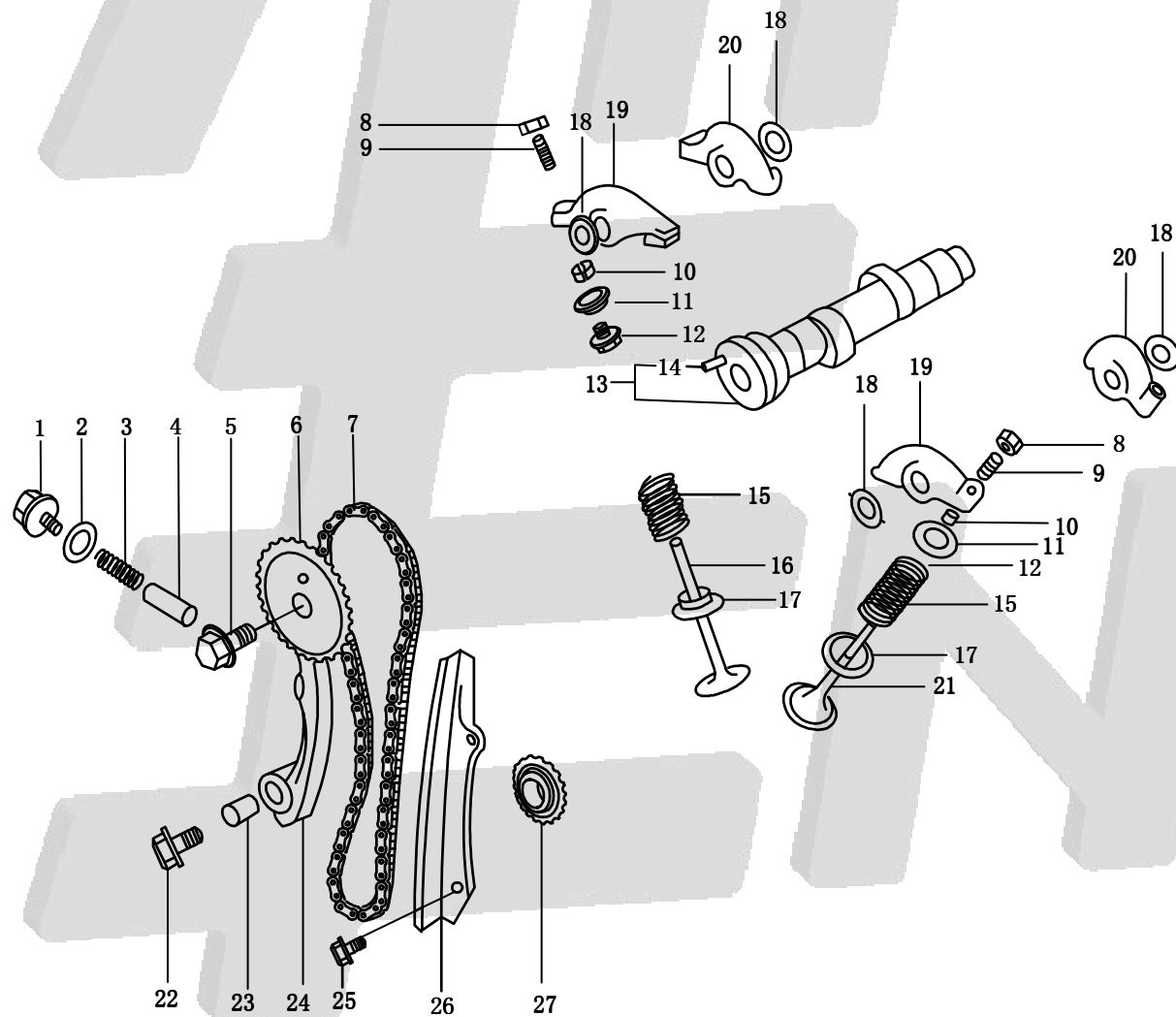
## 平衡轴部件

### BALANCING SHAFT PART



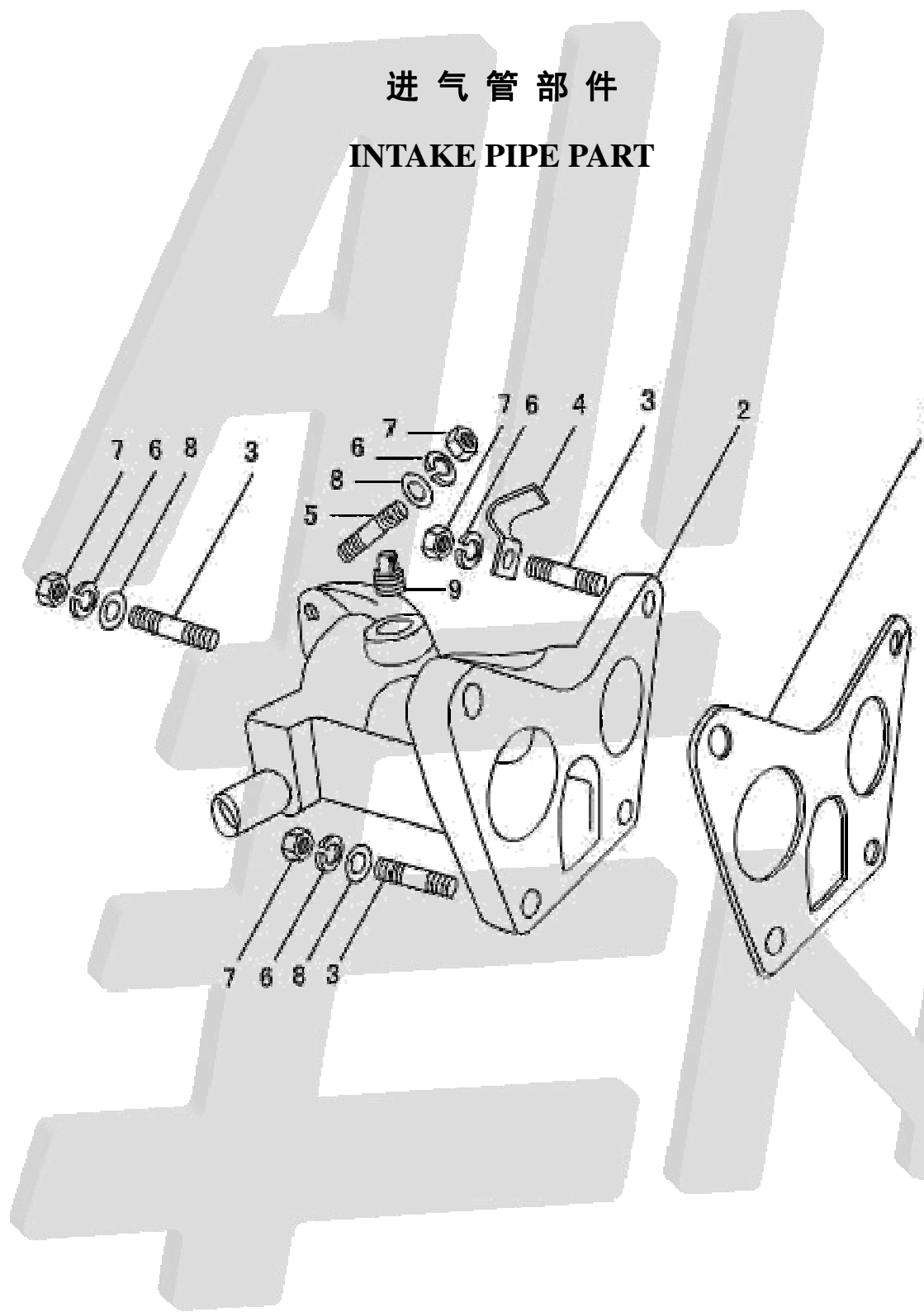
序号 No.	件号 Code name	名称 Description		数量 Qty
		中文 Chinese	英文 English	
1	QTB30	厚垫圈 $\phi 24 \times \phi 8.5 \times 3$	Thick washer $\phi 24 \times \phi 8.5 \times 3$	2
2	270Q-04400	平衡链条部件	Balancing chain assembly	1
3	270Q-04310A	平衡轴链轮部件	Balancing shaft sprocket assembly	2
4	QTB10	六角头带缘螺栓 M6×10	Hexagon-headed bolt with edge M6×10	4
5	270Q-04301	平衡轴挡板	Baffle plate of Balancing shaft	2
6	270Q-04302A	平衡轴	Balancing shaft	2
7	270Q-04303	前平衡块	Front balancing weight	2
8	270Q-04305	平衡块固紧螺栓	Balancing weight clamp bolt	6
9	270Q-04304	后平衡块	Rear balancing weight	2
10	QTB10	六角头带缘螺栓 M6×45	Hexagon-headed bolt with edge M6×45	2
11	270Q-04200B	平衡链条导向块部件	Guide pad assembly of balancing chain	1
12	270Q-04012A	曲轴链轮	Crankshaft sprocket	1

凸轮轴及链传动部份  
CAMSHAFT AND CHAIN TRAIN PART



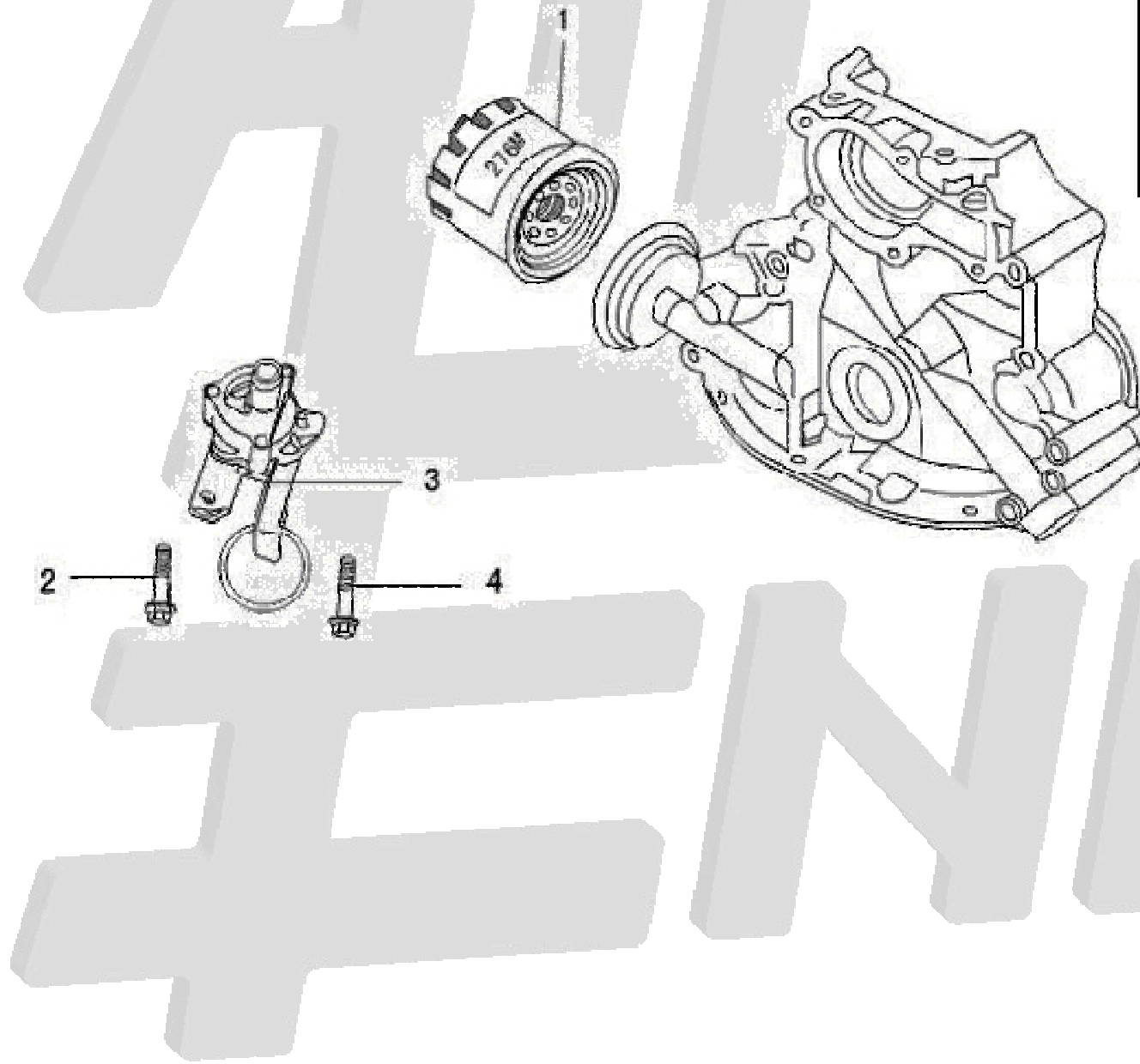
序号 No.	件号 Code name	名称 Description		数量 Qty
		中文 Chinese	英文 English	
1	270Q-05400	螺塞部件	Bolt assembly	1
2	270Q-05007	垫圈	Washer	1
3	270Q-05005A	张紧弹簧	Tensioning spring	1
4	270Q-05004	张紧弹簧板	Tensioning spring plate	1
5	QTB13	小六角头带缘螺栓 M12×1.25×30	Small hexagon-headed bolt with edge M12×1.25×30	1
6	270Q-05002A	凸轮轴正时链轮	Camshaft timing sprocket wheel	1
7	270Q-05100	正时链条部件	Timing chain assembly	1
8	270Q-01502	气门间隙调整螺母	valve clearance adjusting nut	4
9	270Q-01501	气门间隙调整螺钉	valve clearance adjusting bolt	4
10	270Q-01004	气门锁夹	Valve locker	8
11	270Q-01003	气门弹簧上座	Upper seat of valve spring	4
12	270Q-01200	气门杆油封部件	Valve rod oil seal assembly	4
13	276Q-05001	凸轮轴	Camshaft	1
14	QTB40	定位销 φ6×14	Dowel pin φ6×14	1
15	276Q-01002A	气门弹簧	Valve spring	4
16	270Q-01005A	进气门	Intake Valve	2
17	270Q-01001	气门弹簧下座	Lower seat of valve spring	4
18	270Q-01008	波形垫圈	Wave form washer	4
19	270Q-01510	一缸气门摇臂	Valve rocker arm of first cylinder	2
20	270Q-01610	二缸气门摇臂	Valve rocker arm of second cylinder	2
21	270Q-01006	排气门	Exhaust Valve	2
22	QTB13	小六角头带缘螺栓 M8×32	Small hexagon-headed bolt with edge M8×32	1
23	270Q-05003	张紧板销轴	Tightner pin shaft	1
24	270Q-05300	链条张紧板	Chain tightner	1
25	QTB10	六角头带缘螺栓 M6×10	Hexagon-headed bolt with edge M6×10	2
26	270Q-05200	链条限位板	Chain limit plate	1
27	270Q-04005A	曲轴正时链轮	Crankshaft timing chain sprocket	1

进气管部件  
INTAKE PIPE PART



序号 No.	件号 Code name	名称 Description		数量 Qty
		中文 Chinese	英文 English	
1	270Q-06006	进气管纸垫片	Intake pipe paper gasket	1
2	LJ276MT-2-06000	进气管	Intake pipe	1
3	GB/T898-1988	螺柱 AC-M8×25-8.8	Stud AC-M8×25-8.8	4
4	QTB77	夹片 20	Clip 20	1
5	GB/T93-1978	弹簧垫圈 8	Spring washer 8	6
6	QTB15	螺母 M8-8	nut M8-8	6
7	GB/T899-1988	螺柱 AC-M8×28-8.8	Stud AC-M8×28-8.8	2
8	GB/T848-1985	垫圈 8	Washer 8	3
9	QTB26-NTP1/8	四方头锥形螺塞	Square head taper plug Z 3/8"	1

机油滤清器及机油泵部件  
OIL FILTER AND OIL PUMP PART

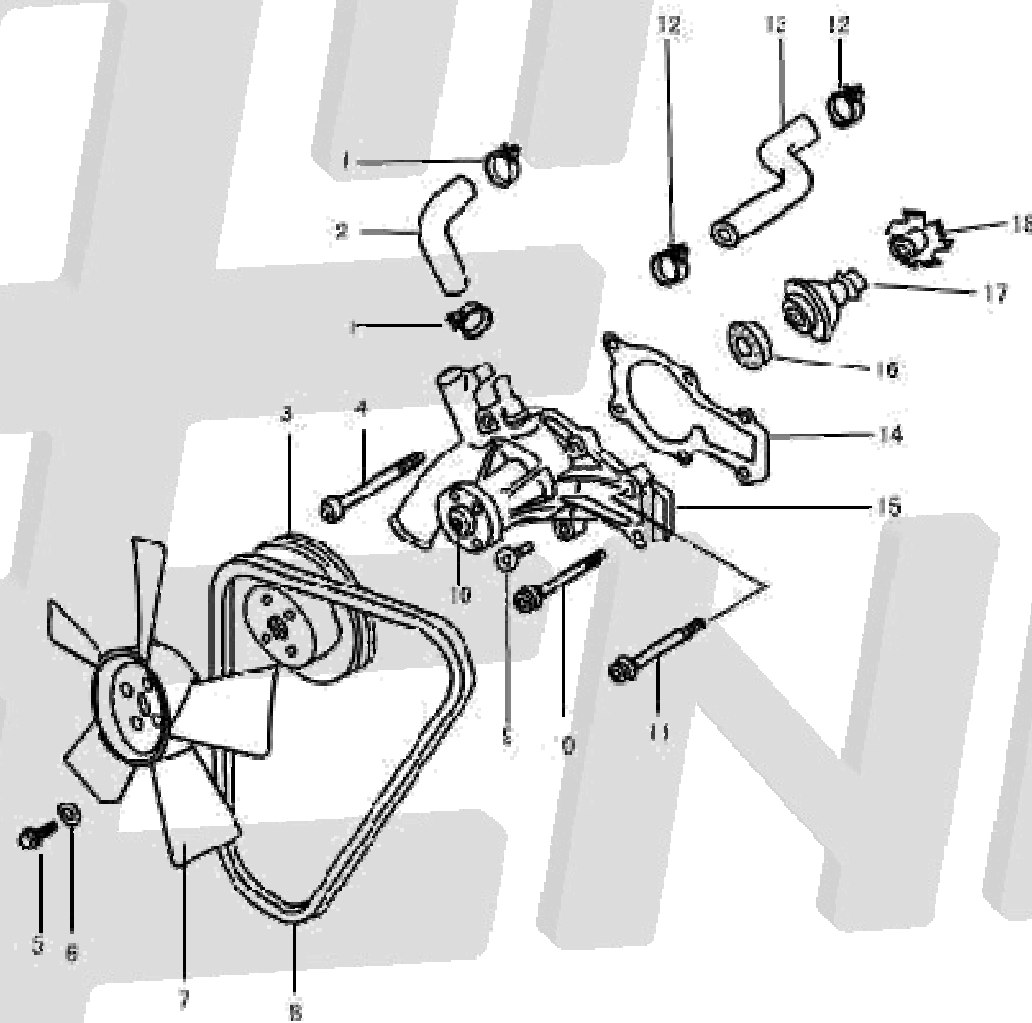


序号 No.	件号 Code name	名称 Description		数量 Qty
		中文 Chinese	英文 English	
1	276Q-17000	机油滤清器	Oil Filter	1
2	QTB10	六角头带缘螺栓 M6×45	Hexagon -headed bolt with edge M6×45	2
3	LJ276MT-2-16000	机油泵部件	Oil pump assembly	1
4	GB30-76	六角头带缘螺栓 M6×50	Hexagon -headed bolt with edge M6×50	1



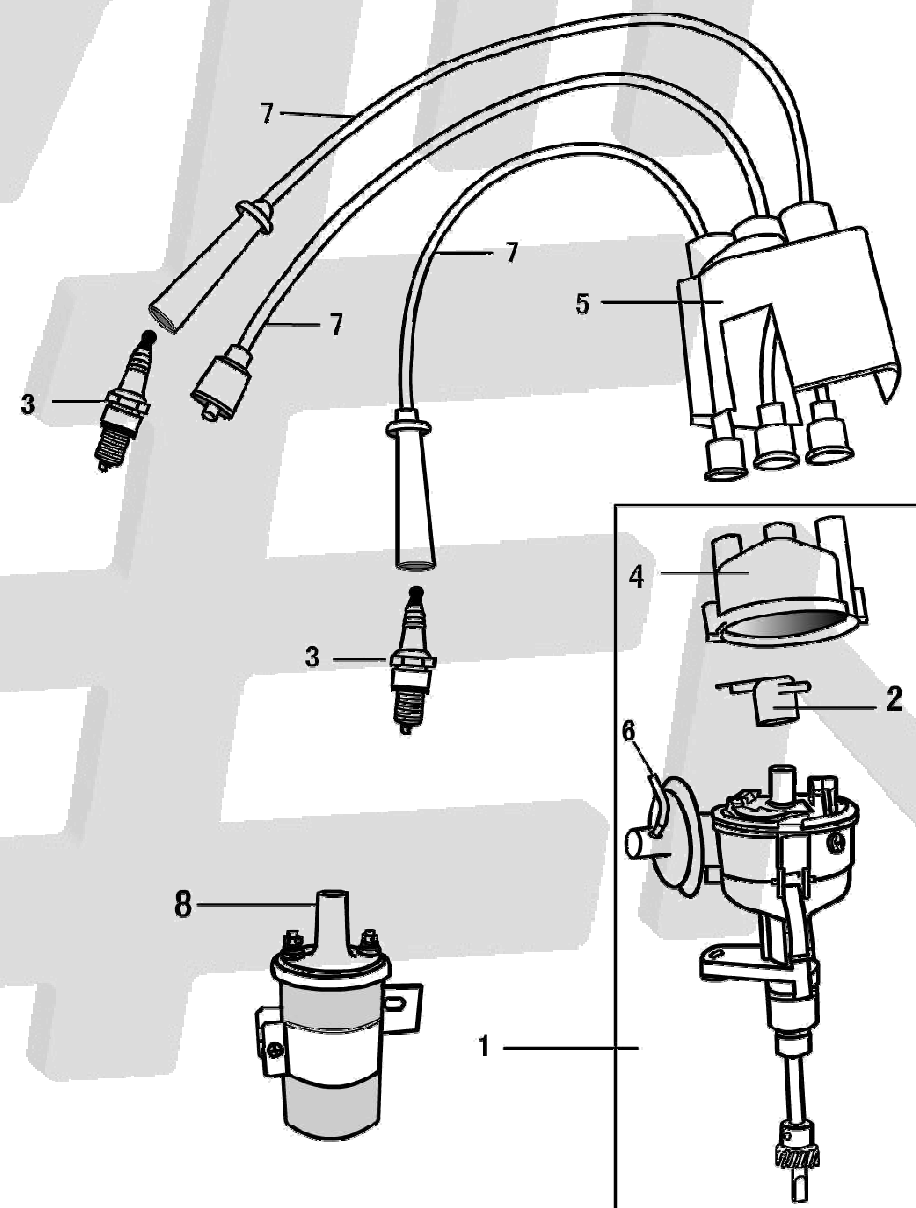
## 水泵及风扇总成

### WATER PUMP AND FAN ASSEMBLY



序号 No	件号 Code name	名称 Description		数量 Qty
		中文 Chinese	英文 English	
1	ZB/TT32005.1-88	双钢丝式环箍 18	Shell ring with double steel wire 18	2
2	270Q-19011	橡胶管(2)	Rubber pipe (2)	1
3	270Q-19013	风扇皮带轮	Fan belt pulley	1
4	QTB10	六角头带缘螺栓 M8×88	Hexagon-headed bolt with edge M8×88	2
5	GB/T9074.15-1988	螺栓组合件 M6×23	Hexagon head bolt M6×23	4
6	QTB32	垫圈 7.5	Washer 7.5	4
7	276Q-19200	风扇总成	Fan assembly	1
8	QTB93A	风扇皮带 AV10×845	Fan belt AV10×845	1
9	QTB10	六角头带缘螺钉 M8×23	Hexagon-headed bolt with edge M8×23	2
10	270Q-19002B	水泵轴	Water pump shaft	1
11	QTB10	六角头带缘螺钉 M8×78	Hexagon-headed bolt with edge M8×78	2
12	ZB/TT32005.1-88	双钢丝式环箍 22	Shell ring with double steel wire 22	2
13	LJ276MT-2-19009	橡胶管 (1)	Rubber pipe (1)	1
14	276Q-19001	水泵盖垫片	Water pump gasket	1
15	276Q-19100	水泵总成	Water pump assembly	1
16	GB276-64	滚动轴承 E60101	Roller bearing E60101	2
17	270Q-F12-00	水封组件	Water seal assembly	1
18	276Q-19003	水泵叶轮	Runner of Water pump	1

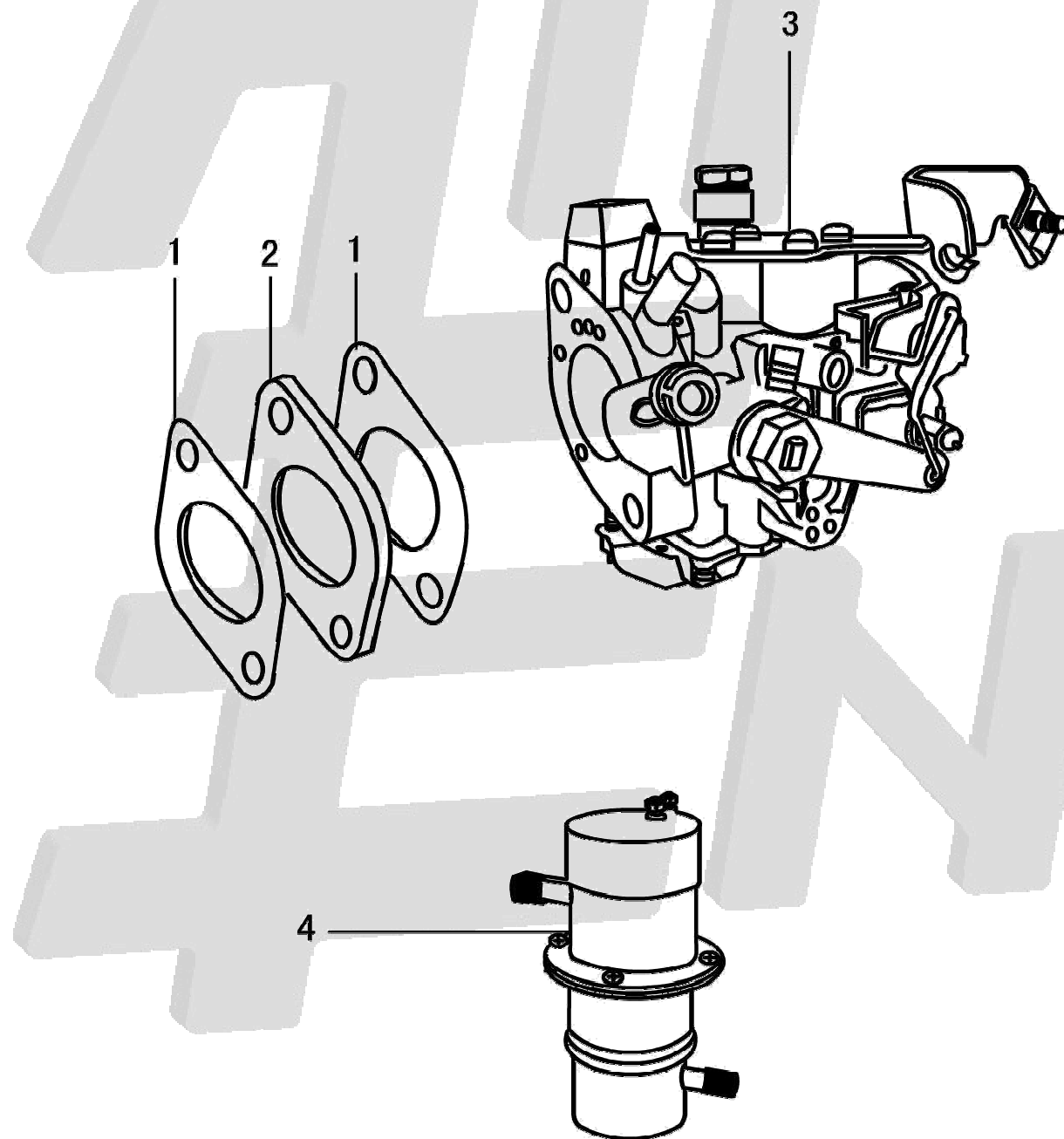
分电器及其线路装置  
DISTRIBUTOR AND ITS LINE



序号 No.	件号 Code name	名称 Description		数量 Qty
		中文 Chinese	英文 English	
1	270Q-23510W	分电器总成(无触点)	Distributor assembly (non contact)	1
2	FDQ-60000	分火头总成	Rotor head assembly	1
3	GB/T7825-1987	火花塞	Spark plug	2
4	FDQ-1-50000	分电器盖总成	Distributor cover assembly	1
5	270Q-23901	分电器护罩	Distributor protective cap	1
6	LJ276MT-2-23501	真空胶管	Vacuum rubber tube	1
7	LJ276M-23910F	高压阻尼线组件 中心高压线 800	High - tension damping wires Central High - tension wire 800	1
8	LJ462Q-1-3705010DW	点火线圈总成	Ignition coil assembly	1

化油器、汽油泵部件

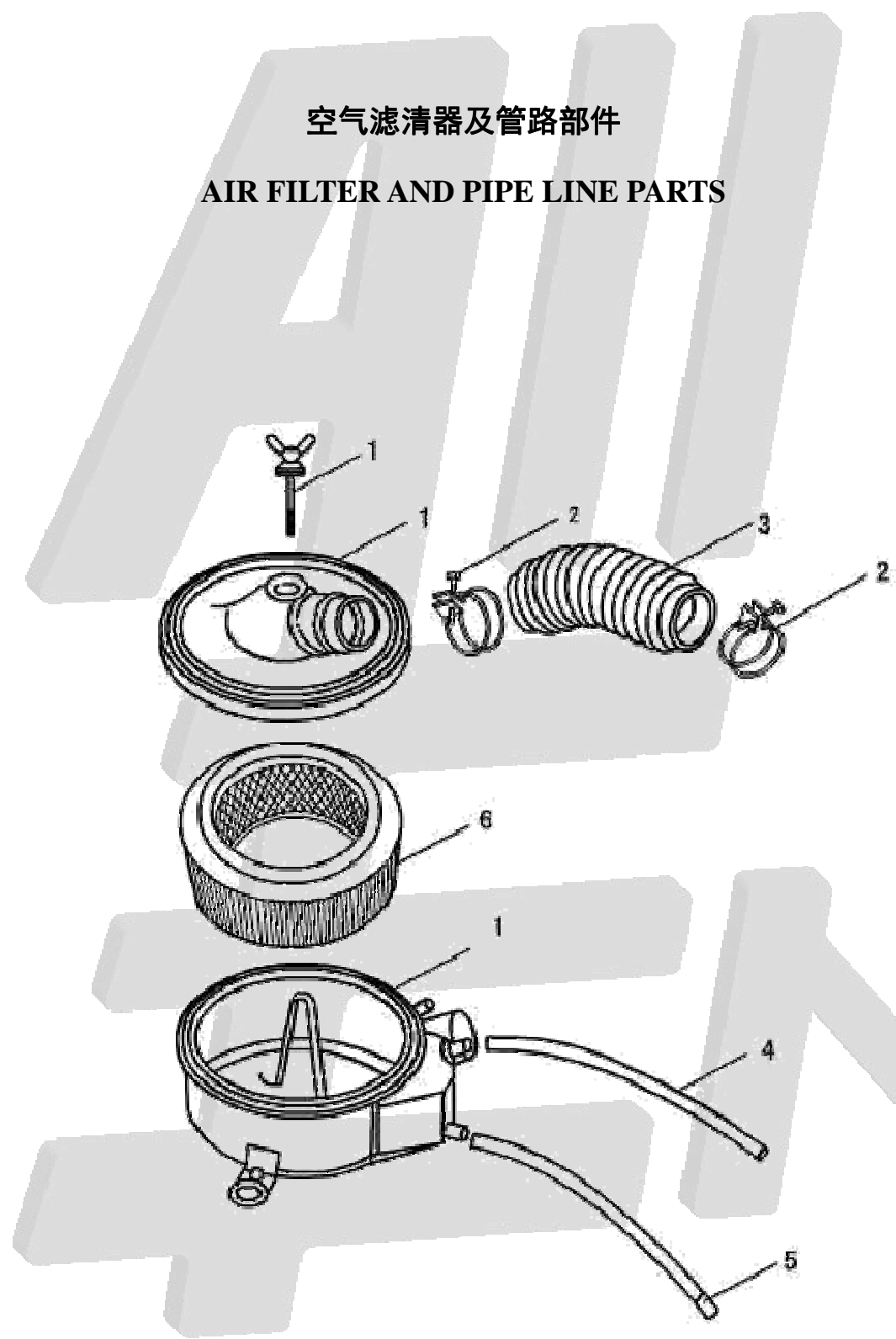
CARBURETOR AND PETROL PUMP PART



序号 No.	件号 Code name	名称 Description		数量 Qty
		中文 Chinese	英文 English	
1	270Q-06004	化油器凸缘垫片	Collar washer of carburetor	2
2	270Q-06003	化油器凸缘垫块	Collar mat of carburetor	1
3	276Q-13000	化油器部件	Carburetor assembly	1
4	JB12D-H	电动汽油泵	Electric petrol pump	1

空气滤清器及管路部件

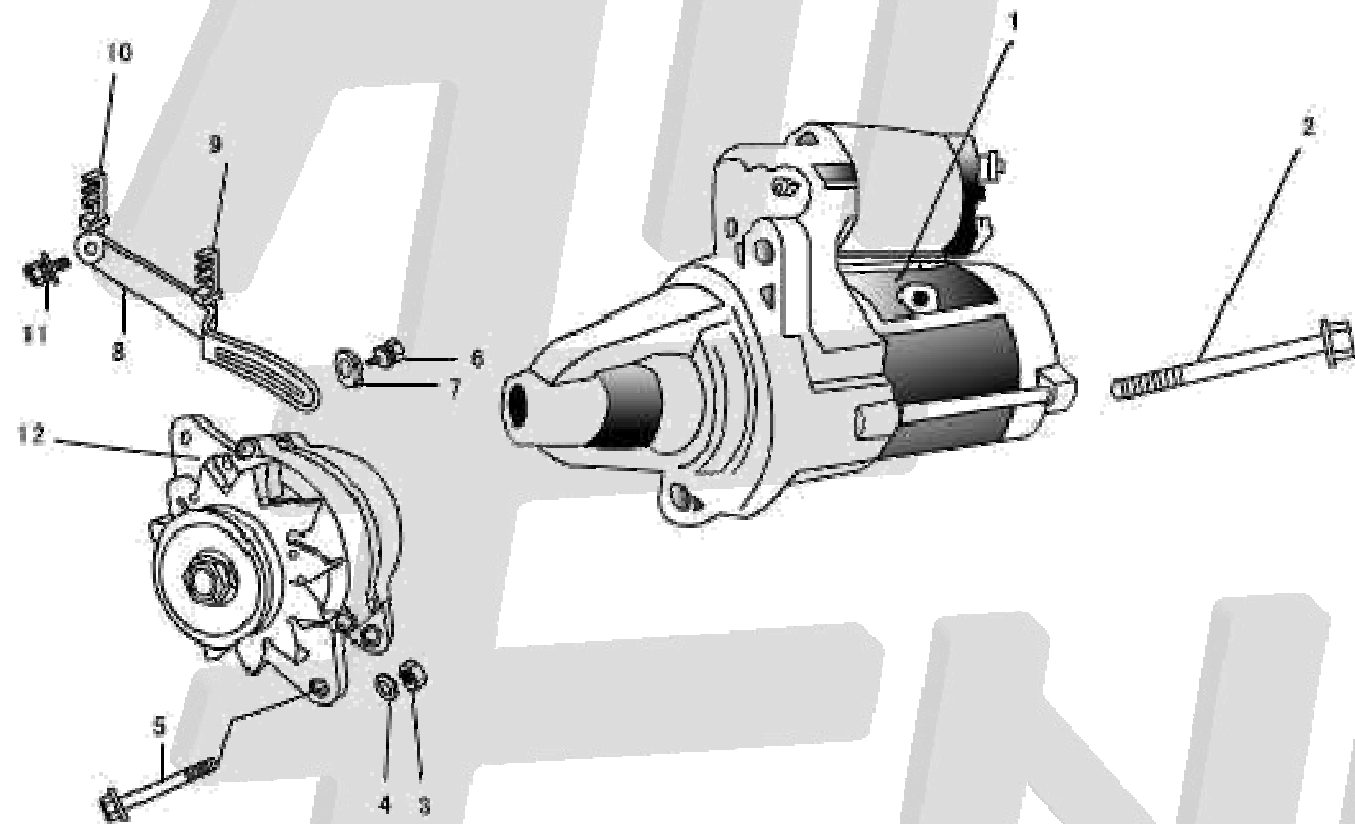
AIR FILTER AND PIPE LINE PARTS



序号 No.	件号 Code name	名称 Description		数量 Qty
		中文 Chinese	英文 English	
1	LJ270Q-07100F	空气滤清器部件	Air filter assembly	1
2	QK1706-03	卡箍 44-64	Snap ring 44-64	2
3	LJ270Q-07001F	波纹管	Bellows	1
4	LJ276MT-2-07002F	通气橡胶管	Rubber breathing pipe	1
5	270Q-07003	储尘管	Storing dust pipes	1
6	QK1706-05	空气滤清器滤芯	Element of air filter	1

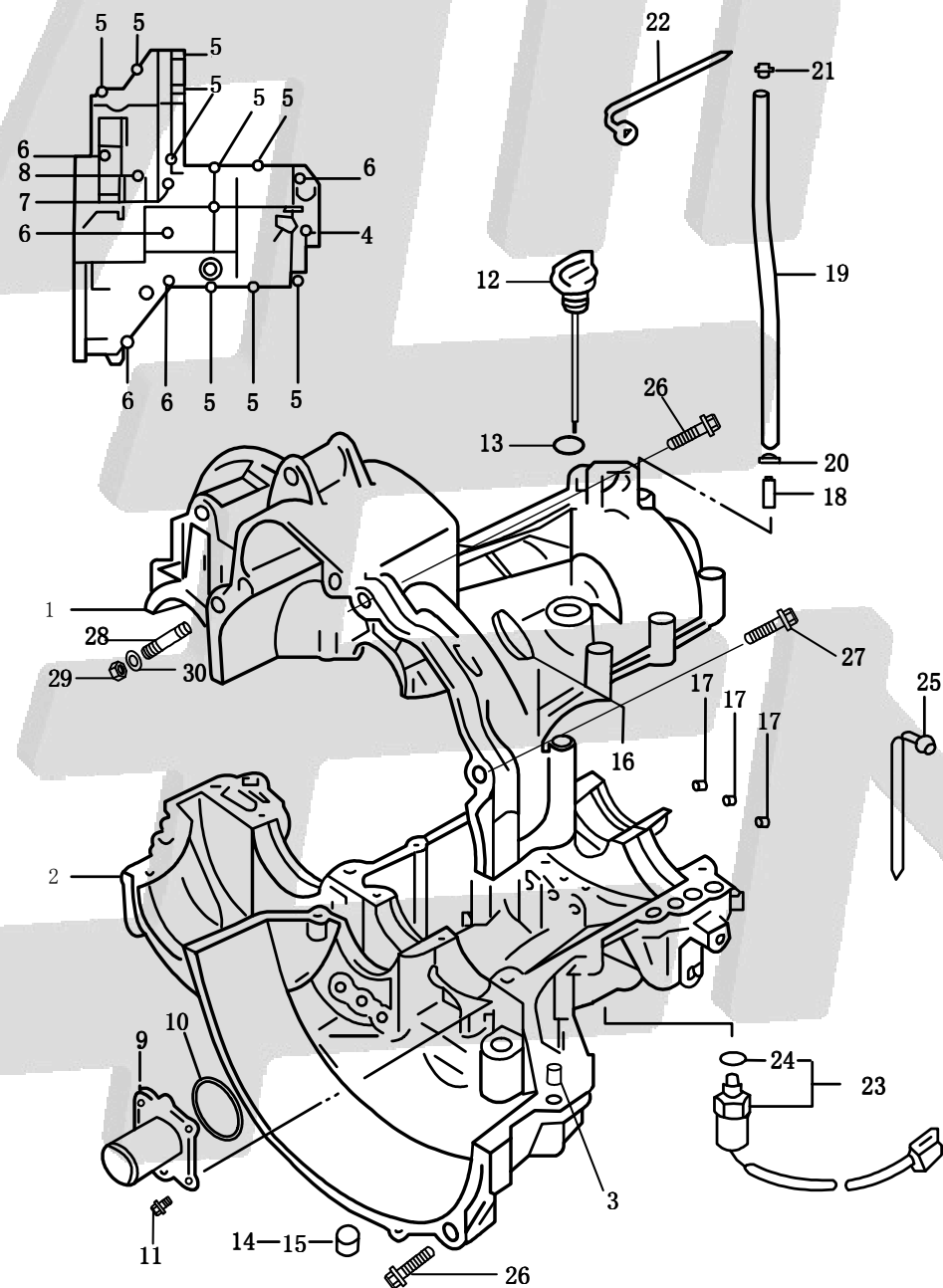
起动机、发电机及其紧固件

STARTER , ALTERNATOR AND THEIR FASTENING PIECE



序号 No.	件号 Code name	名称 Description		数量 Qty
		中文 Chinese	英文 English	
1	LJ368Q-3708010	起动机总成	Starter assembly	1
2	LJ368Q-1000068	起动机紧固带缘螺栓	Starter clamp bolt with Shouldered tap	2
3	QTB15	六角螺母 M8-8	Hexagon nut M8-8	1
4	GB/T93-1987	弹簧垫圈 8	Spring washer 8	1
5	270Q-02203A	调节螺钉	Adjusting bolt	1
6	GB/T9074.15-1988	螺栓组合件 M8×25	Bolt assembly M8×25	1
7	QTB30	厚垫圈 φ24×φ8.5×3	Thick washer φ24×φ8.5×3	1
8	270Q-25010A	发电机支架焊接件	Ally arm Weld assembly of alternator	1
9	270Q-25001	固定线架乙	Second fixed swift	1
10	270Q-25020	固定线架甲(镶件)	First fixed swift (insert)	1
11	GB/T9074.15-1988	螺栓组合件 M8×20	Bolt assembly M8×20	1
12	LJ462Q-1-3701010D	硅整流发电机总成	Silicon rectification generator assembly	1

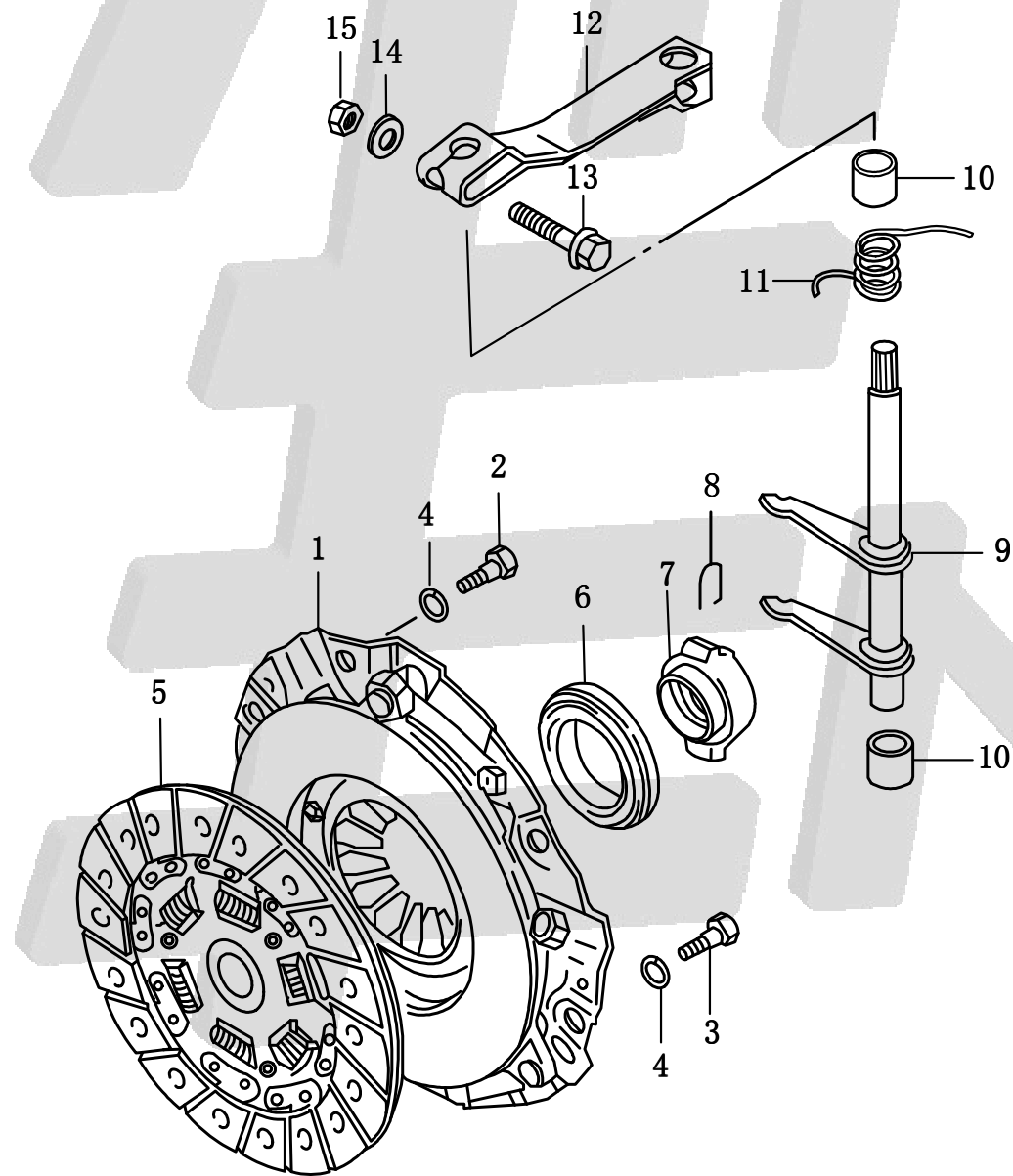
变速器箱体  
TRANSMISSION TANK



序号 NO.	Code name	名称 Description		数量 Qty
		中文 Chinese	英文 English	
1	1701111	变速器上箱体	Upper tank of transmission	1
2	1701112	变速器下箱体	Lower tank of transmission	1
3	1701113	定位销	Locating pin	2
4	GBT5787—86	螺栓 M6×40	Bolt M6×40	1
5	GBT5787—86	螺栓 M8×50	Bolt M8×50	10
	GBT5787—86	螺栓 M8×70	Bolt M8×70	5
7	GBT5787—86	螺栓 M8×90	Bolt M8×90	1
8	GBT5787—86	螺栓 M8×135	Bolt M8×135	1
9	1701301	一轴密封圈挡板	Baffle plate of seal ring of the first shaft	1
10	GB3452.1—82	“O”型密封圈 40×2.65	“O” type seal ring 40×2.65	1
11	GB819—85	螺钉 M6×16	Bolt M6×16	4
12	1701140	油尺总成	Dip stick assembly	1
13	GB3452.1—82	“O”型密封圈 15×2.65	“O” type seal ring 15×2.65	1
14	ZBT32001.3—87	螺塞 Z 1 / 2" —14	Bolt Z 1 / 2"—14	1
15	ZBT32001.9—87	螺塞 Z 1 / 2" —14 (磁性)	Bolt Z 1 / 2"—14( magnetism )	1
16	1701017	观察孔罩	Sight hole cover	1
17	1702050	换挡杆密封盖总成	Sealing cover assembly of shift lever	3
18	1701025	通气管接头	Breathing pipe tie-in	1
19	1701026	通气管	Breathing pipe	1
20	1701023	管卡	Perkins joint	1
21	1701027	通气管塞	Breathing pipe plug	1
22	1701024	线卡	Line fastener	1
23	3729010	倒车灯开关总成	Switch assembly of back light	1
24	GB3452.1—82	“O”型密封圈 15×2.65	“O” type seal ring 15×2.65	1
25	1701024	线卡	Line fastener	1
26	LJ368Q—1000163	带缘螺栓	Shouldered tap bolt	2
27	LJ368Q—1000169	带缘螺栓	Shouldered tap bolt	1
28	LJ368Q—1000167	螺柱	Stud	1
29	GB/T6171—1986	螺母 M10×1.25	Nut M10×1.25	1
30	GB/T848—1985	垫圈 10	Washer10	1

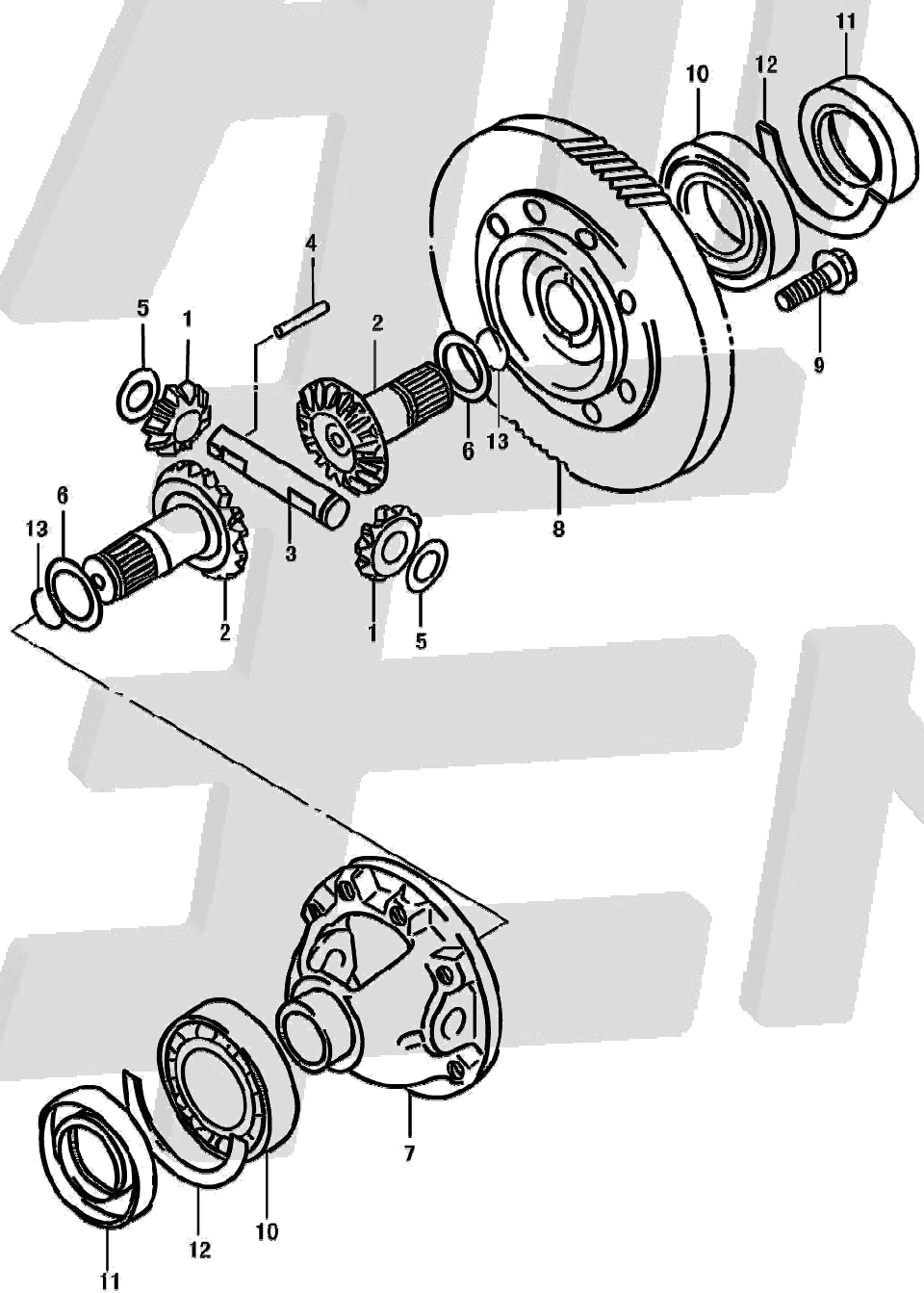
## 离合器、拨叉轴及转臂

### CLUTCH SHIFTER SHAFT AND ROCKER ARM



序号 No	件号 Code name	名称 Description		数量 Qty
		中文 Chinese	英文 English	
1	DST160HH14	离合器盖总成	Clutch cover assembly	1
2	LJ462Q-1-1005024D	压盘定位螺钉	Platen locating screw	2
3	GB/T9074.15-1988	螺栓组合件 M8×16	Bolt tab M8×16	4
4	GB859-87	轻型弹簧垫圈 8	Light gage spring washer 8	6
5	DST160AT1	离合器从动盘总成	Clutch driven disk assembly	1
6	1701510	离合器分离轴承	Clutch release bearing	1
7	1701501	分离套筒	Release sleeve	1
8	1701022	卡簧	Circlip	2
9	1701040	离合器拨叉轴总成	Clutch shifter shaft assembly	1
10	1701019	轴套	Bushing ring	2
11	1701018	扭簧	Torsion spring	1
12	1701016	离合器转臂	Clutch rocker arm	1
13	GB5789-86	螺栓 AM8×35	Bolt AM8×35	1
14	GB97.1-85	垫圈 8	Washer 8	1
15	GB6170-86	螺母 M8	Nut M8	1

差速器  
DIFFERENTIAL

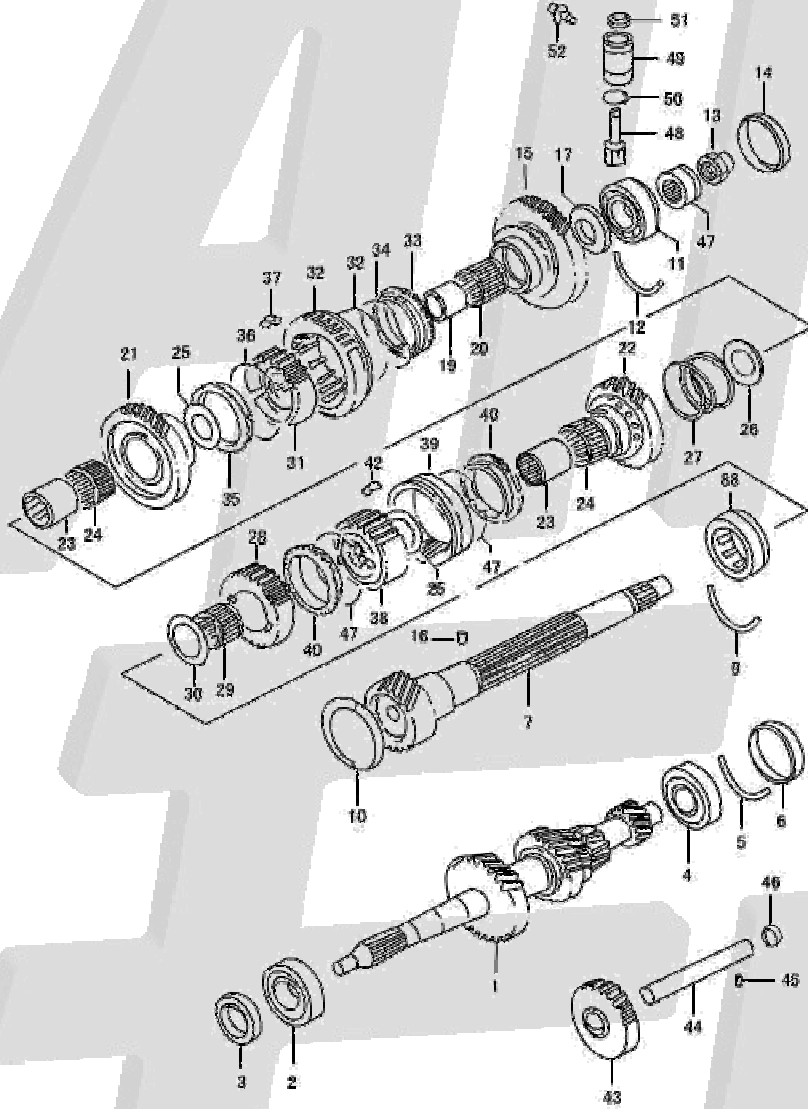


序号 No	件号 Code name	名称 Description		数量 Qty
		中文 Chinese	英文 English	
1	2303017	差速器行星齿轮	Differential Planet gear	2
2	2303015	差速器半轴	Half axle of Differential	2
3	2303019	行星齿轮轴	Planet gear shaft	1
4	GB309-84	滚针轴承 D5×25.8	Needle bearing D5×25.8	1
5	2303018	行星齿轮垫圈	Planet gear washer	2
6-1	2303012	半轴调整垫圈	Half axle adjusting washer	0~2
6-2	2303013	半轴调整垫圈	Half axle adjusting washer	0~2
6-3	2303014	半轴调整垫圈	Half axle adjusting washer	0~2
7	2303011	差速器壳	Differential case	1
8	2303021	主减速齿轮	Main reduction gear	1
9	GB5789-86	螺栓 M10×1.25×20-10.9	Bolt M10×1.25×20-10.9	8
10	GB/T276-94	向心球轴承 6207Z/P63	Endocentric ball bearing 6207Z/P63	2
11	1701090	差速器密封圈总成	Differential seal ring assembly	2
12	1701014	差速器轴承止推环	Thrust ring of Differential	2
13	2303016	钢丝档圈	Steel cable baffle ring	2



### 变速器一轴及中间轴

### FIRST SHAFT AND COUNTERSHAFT

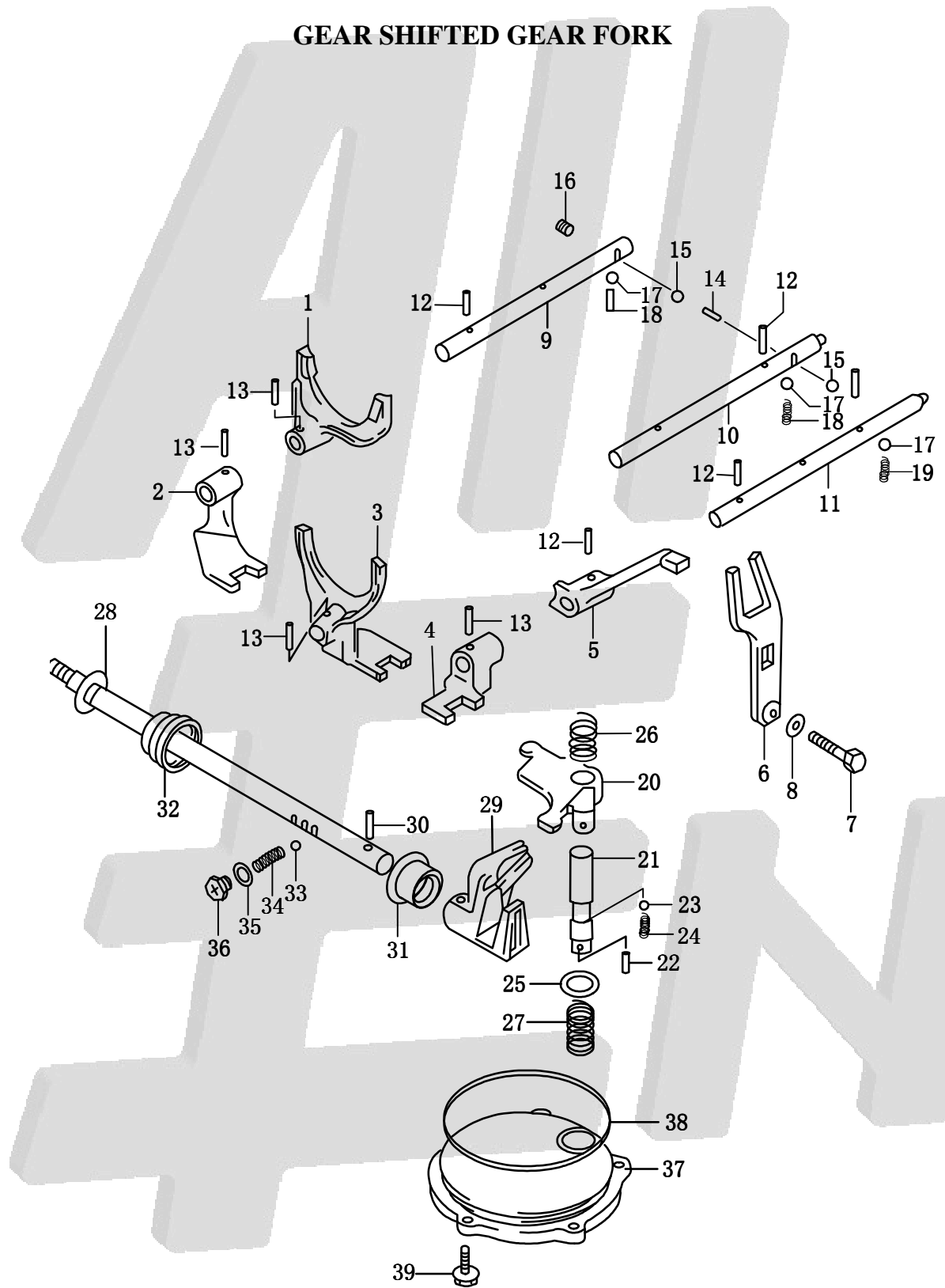


序号 No.	件号 Code name	名称 Description		数量 Qty
		中文 Chinese	英文 English	
1	1701130	一轴组件	The first shaft assembly	1
2	GB/T276-94	向心球轴承 6204-2RS/P53	Endocentric ball bearing 6204-2RS/P53	1
3	1701310	一轴密封圈总成	The first shaft seal ring assembly	1
4	GB/T276-94	向心球轴承 6204-2RS/P53	Endocentric ball bearing 6204-2RS/P53	1
5	1701011	一轴轴承止推环	Thrust ring of the first shaft bearing	1
6	1701120	一轴密封盖总成	The first shaft seal cap assembly	1
7	1701201	中间轴	Countershaft	1
8	1701250	无内圆带止动槽圆柱滚子轴承	Cylindrical roller bearing with Locking notch and without inner circle	1

序号 No.	件号 Code name	名称 Description		数量 Qty
		中文 Chinese	英文 English	
9	1701013	中间轴轴承止推环(右)	Thrust ring of countershaft bearing (right)	1
10	1701060	中间轴密封盖总成(右)	Sealing cap assembly of countershaft (right)	1
11	GB/T276-94	向心球轴承 6304N/P53	Endocentric ball bearing 6204-2RS/P53	1
12	1701012	中间轴轴承止推环(左)	Thrust ring of countershaft bearing (left)	1
13	1701219	中间轴紧固螺母	Tight nut of countershaft	1
14	1701050	中间轴密封盖总成(左)	Sealing cap assembly of Countershaft (left)	1
15	1701211	中间轴一档齿轮	The first gear of countershaft	1
16	GB309-84	滚针 P2×7.8	Needle P2×7.8	1
17	1701203	中间轴一档齿轮垫圈	The first gear gasket of countershaft	1
18	GB308-84	钢球 4.7625G60b	Steel ball 4.7625G60b	1
19	1701204	中间轴一档齿轮轴套	First gear bushing ring of countershaft	1
20	GB5846-86	滚针轴承 K253023	Needle bearing K253023	1
21	1701212	中间轴二档齿轮	The second gear of countershaft	1
22	1701213	中间轴三档齿轮	The third gear of countershaft	1
23	1701012	二、三档齿轮轴套	The second and the third gears bushing ring	2
24	GB5846-86	滚针轴承 K303520	Needle bearing K303520	2
25	1701206	二、三档齿轮垫圈	The second and the third gears gasket	2
26	1701208	三档齿轮调整垫	The third gear spacer	1
27	1701207	二、三档齿轮压簧	The second and the third gears pressure spring	1
28	1701214	中间轴四档齿轮	Fourth gear of countershaft	1
29	GB5846-86	滚针轴承 K253020	Needle bearing K253020	1
30	1701209	四档齿轮垫圈	The fourth gear gasket	1
31	1701232	低速同步器齿壳	Low synchronizer shell	1
32	1701231	低速同步器齿套	Low synchronizer sleeve	1
33	1701215	低速同步器齿环(左)	Low synchronizer ring (left)	1
34	1701217	低速同步器齿环弹簧	Low synchronizer ring spring	1
35	1701216	低速同步器齿环(右)	Low synchronizer ring (right)	1
36	1701233	低速同步器弹簧	Low synchronizer spring	2
37	1701234	同步器滑块	Synchronizer guide block	3
38	1701242	高速同步器齿壳	High synchronizer shell	1
39	1701241	高速同步器齿套	High synchronizer sleeve	1
40	1701218	高速同步器齿环	High synchronizer ring	2
41	1701243	高速同步器弹簧	High synchronizer spring	2
42	1701234	同步器滑块	Synchronizer guide block	3
43	1701080	倒档空转齿轮	Racing gear of reverse gear	1
44	1701015	倒档轴	Rreverse gear shaft	1
45	GB119-86	销 D5×13	Pin D5×13	1
46	1701070	倒档齿轮轴密封盖总成	Sealing cap assembly of reverse gear shaft	1
47	1701202	速度计蜗杆	Speed gage worm	1
48	1701209	速度计蜗轮	Speed gage worm wheel	1
49	1701401	速度计蜗轮轴套	Speed gage worm wheel bushing ring	1
50	GB3452.1-82	“O”型密封圈 19×1.8	“O” type seal ring	1
51	1701410	速度计蜗轮密封圈总成	Seal ring assembly of Speed gage worm wheel	1
52	1701028	速度计止推螺钉	Speed gage thrust bolt	1

# 齿轮换挡拨叉

## GEAR SHIFTED GEAR FORK



序号 No.	件号 Code name	名称 Description		数量 Qty
		中文 Chinese	英文 English	
1	1702014	一、二档换挡拨叉	Shifted gear shifting fork of the first and the second gears	1
2	1702017	一、二档换挡拨叉	Shifted gear fork of the first and the second gears	1
3	1702015	三、四档换挡拨叉	Shifted gear shifting fork of the third and the fourth gears	1
4	1702012	倒档换挡拨叉	Reverse gear shifted gear fork	1
5	1702011	倒档换挡悬臂	Reverse gear shifted gear cantilever	1
6	1702060	倒档换挡拨叉总成	Shifted gear shifting fork assembly of reverse gear	1
7	GB5783—86	螺栓 M10×1.25×35	Bolt M10×1.25×35	1
8	1702019	倒档换挡拨叉垫圈	Shifted gear shifting fork washer of reverse gear	1
9	1702014	一、二档换挡杆	Shift lever of the first and the second gears	1
10	1702018	三、四档换挡杆	Shift lever of the third and the fourth gears	1
11	1702016	倒档换挡杆	Reverse gear shift lever	1
12	GB879—86	销 4.5×18	Pin 4.5×18	4
13	GB879—86	销 4.5×20	Pin 4.5×20	4
14	GB309—84	滚针 3×9.8	Needle 3×9.8	1
15	GB308—84	钢球 9.5250G60b	Steel ball 9.5250G60b	2
16	1701021	孔塞	Hole plug	1
17	GB308—84	钢球 7.9375G60b	Steel ball 7.9375G60b	3
18	1702021	高低速换挡杆锁紧弹簧	Locating spring of high and low speed shift level	2
19	1702022	锁紧弹簧	Locating spring	1
20	1702082	换位摇臂	Transposition Rocker arm	1
21	1702081	换位轴	Transposition shaft	1
22	GB119—86	销 D4×8	Pin D4×8	1
23	GB308—84	钢球 7.9375G60b	Steel ball 7.9375G60b	1
24	1702029	锁紧弹簧	Locating spring	1
25	1702026	换位轴垫圈	Transposition shaft washer	1
26	1702024	换位轴长弹簧	Long spring of Transposition shaft	1
27	1702025	换位轴短弹簧	Short spring of Transposition shaft	1
28	1702070	换当轴总成	Shift shaft assembly	1
29	1702028	换位轴摆杆	Transposition shaft rocker	1
30	GB879—76	销 5×22	Pin 5×22	1
31	1702040	换当轴密封圈总成	Seal ring assembly of shift shaft	1
32	1702027	换当轴防尘盖	Dirt guard of Shift shaft	1
33	GB308—84	钢球 7.9375 G60b	Steel ball 7.9375 G60b	1
34	1702022	锁紧弹簧	Locating spring	1
35	1702019	倒档换挡拨叉垫圈	Shifted gear shifting fork washer of reverse gear	1
36	ZBT31033—88	六角头十字槽螺栓 M10×1.25×9	Hollow-headed and cross recess bolt M10×1.25×9	1
37	1702023	换位轴盖	Transposition shaft cap	1
38	GB345.1—82	“O”型密封圈 95×2.65	“O” type seal ring 95×2.65	1
39	GB789—86	螺栓 AM6×20	Bolt AM6×20	1