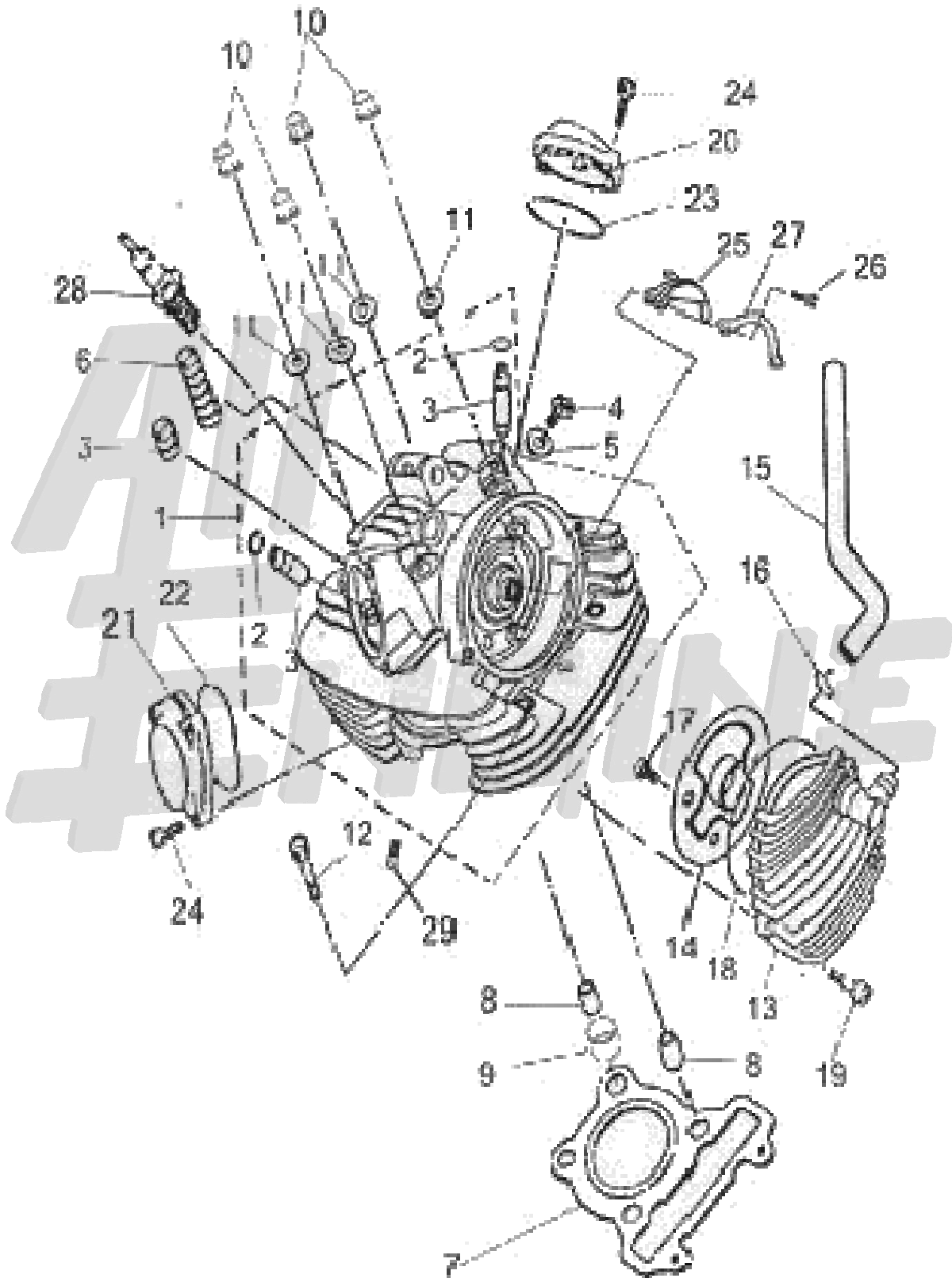


400CC GOKART 发动机部分

ALL ENGINE



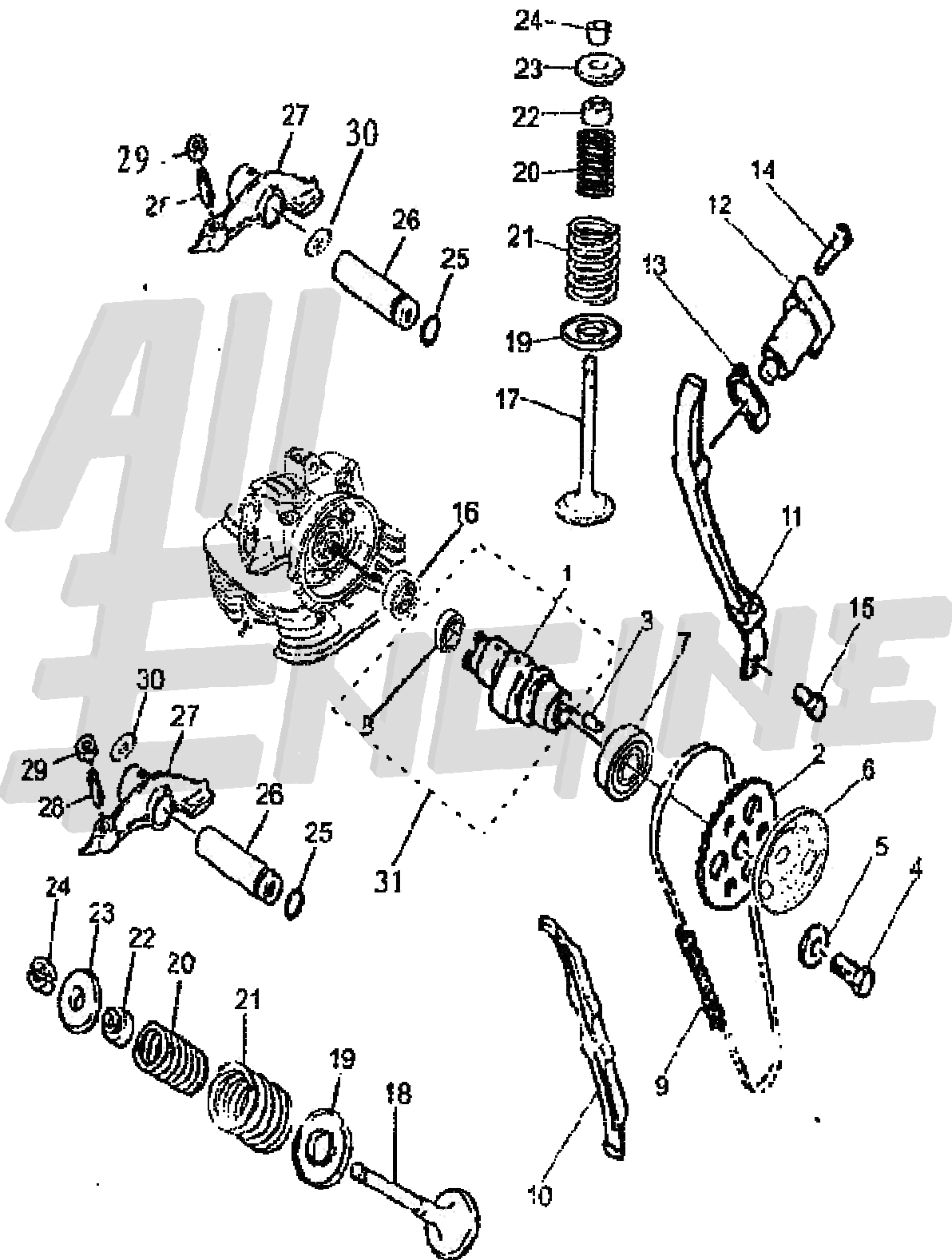
一、 汽缸盖总成
CYLINDER CAPASSY



一、汽缸盖总成 (CYLINDER CAP ASSY)

Ref.no	Part.no		Description		Q'TY
1	2	F3-111000-0	汽缸盖组合	Cylinder cap assy	1
2		F3-111701-0	钢丝挡圈	Steel wire circlip	2
3		F3-111751-0	气门导管	Guide pipe of valve	2
4		Q/JR YP80-2000	螺栓95026-06010	Bolt 95026-06010	1
5		FR-100405-0	垫圈	Washer	1
6		F3-100604-0	减震块	Damper	12
7		F3-102000-0	汽缸盖垫片组合	Cylinder cap shim unit	1
8		Q/JR YP96-2000	定位销99510-14016	Alignment pin 99510-14016	2
9		F3-100603-0	油封14*17.5*8	Oil seal	1
10		F3-101000-0	盖形螺母	Cap nut	4
11		F3-100403-0	铜垫圈	Copper washer	4
12		GB/T 70.1	螺钉M8*50-10.9-Zn5.D	Screw M8*50-10.9-Zn5.D	2
13		F3-103000-0	链轮室盖组合	Proket chamber cover unit	1
14		FG-102000-0	挡油盘组合	Oil pender cover unit	1
15		F3-100605-0	通气管	Air drain	1
16		FG-100701-0	卡箍	Hoop	1
17		Q/JR YP80-2000	螺栓95026-06012	Bolt 95026-06012	2
18		F3-100602-0	O形圈107.1*2.4	O-ring	1
19		GB/T70.1	螺钉M6*25-10.9-Zn5.D	Screw M6*25-10.9-Zn5.D	2
20		F3-100202-0	上气门盖	Upper valve cover	1
21		FG-100201-0	下气门盖	Lower valve cover	1
22		FG-100601-0	O形圈	O-ring	1
23		F3-100601-0	O形圈57.8*2.4	O-ring	1
24		GB/T 70.1	螺钉M6*16-10.9-Zn5.D	Screw M6*20-10.9-Zn5.D	5
25		F3-110403-0	压板	Pressure plate	1
26		GB/T 5783	螺栓M6*12-Zn5.D	Bolt M6*12--Zn5.D	2
27		F3-110402-0	止动板	Stop plate	1
28	60	DR8EA	火花塞	Spark plug	1
29		FB-110851-0	双头螺栓	Double-head bolt	2

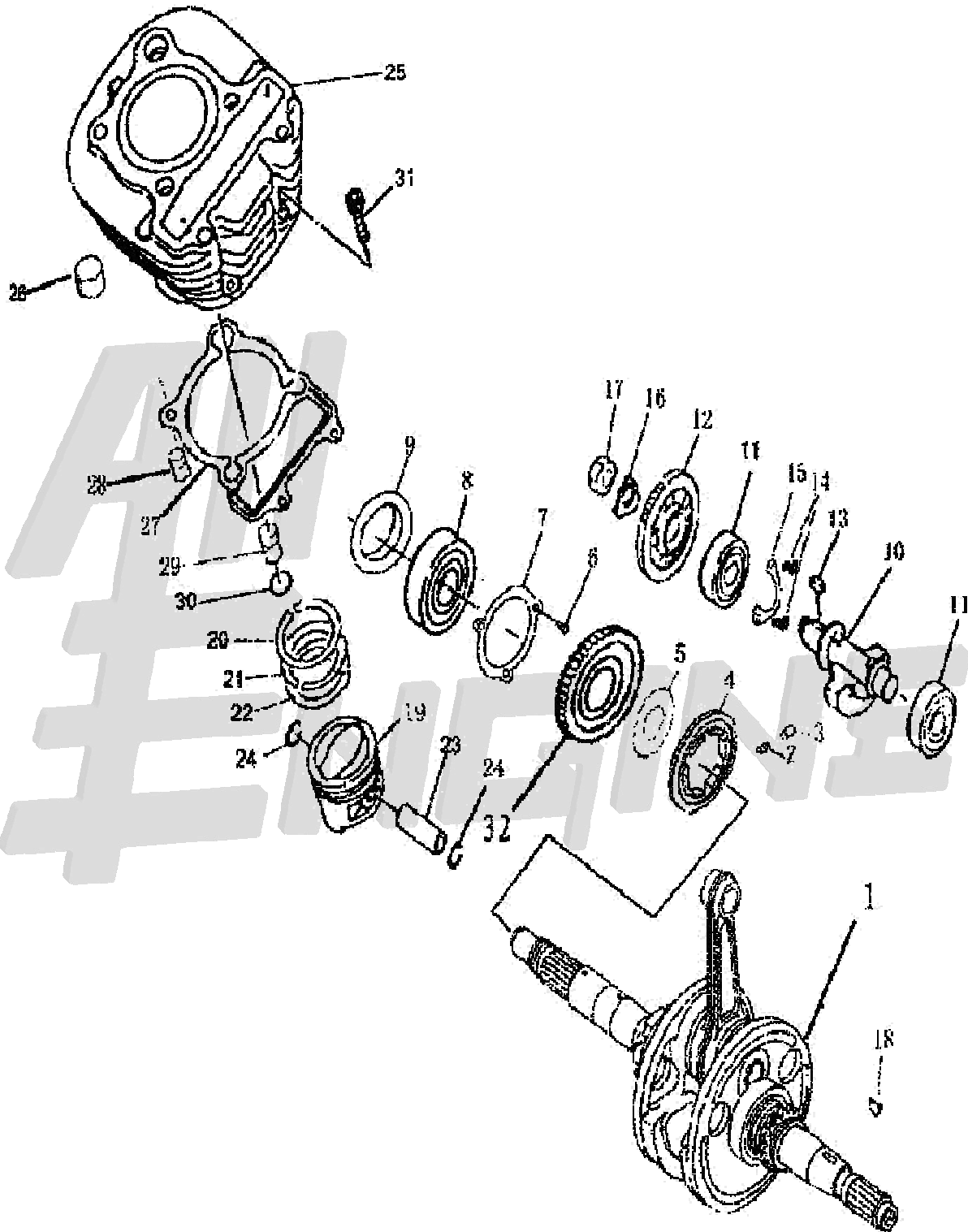
二、配气结构
PNEUMATIC MECHANISM



二、配气结构 (PNEUMATIC MECHANISM)

Ref.no	Part.no	Description	Q'TY		
1	F3-114201-0	配气凸轮轴	Penumatic cam shaft	1	
2	F3-100401-0	正时链条	Timing sprocket	1	
3	FG-100001-0	传动销	Driving pin	1	
4	GB/T5786	螺栓M10*1.25*25-Zn5.D	Bolt M10*1.25*25-Zn5.D	1	
5	FG-100402-0	垫圈	Washer	1	
6	F3-100402-0	甩油盘	Throw oil plate	1	
7	GB/T 276-94	滚动轴承6005-RS/C3	Rolling bearing 6005-RS/C3	1	
8	F3-114001-0	衬套	Bush	1	
9	F3-130000-0	正时链条	Timing chain	1	
10	F3-140000-0	下导向板总成	Lower guide plate assy	1	
11	F3-150000-0	上导向板总成	Upper guide plate assy	1	
12	F3-120000-0	链条张紧器	Chain tensioner	1	
13	F3-100801-0	张紧器垫片	Shim of tensioner	1	
14	Q/JR YP80-2000	螺栓95026-06025	Bolt 95026-06025	2	
15	Q/JR YP80-2000	螺栓95026-06014	Bolt 95026-06014	2	
16	F3-113000-0	滚针轴承	Needle bearing	1	
17	2	F3-110303-0	进气门	Air intake valve	1
18	2	F3-110304-0	排气门	Air exhaust valve	1
19	F3-110306-0	气门弹簧座	Valve spring seat	2	
20	F3-110701-0	气门内弹簧	Valve innerspring	2	
21	F3-110702-0	气门外弹簧	Valve outer spring	2	
22	F3-112000-0	气门杆油封	Valve stem oil seal	2	
23	F3-110301-0	气门弹簧盖	Valve spring cover	2	
24	F3-110302-0	气门锁夹	Valve lock clip	4	
25	F3-110601-0	O型圈	o-ring	2	
26	F3-110001-0	摇臂轴	Rocker arm shaft	2	
27	F3-110305-0	气门摇臂	Valve rocker arm	2	
28	F3-110851-0	调节螺钉	Adjusting screw	2	
29	F3-110852-0	锁紧螺钉	Locking nut	2	
30	F3-110401-0	弹性垫圈	Elastic washer	2	
31	F3-114000-0	凹轮轴组合	Camshaft unit	1	

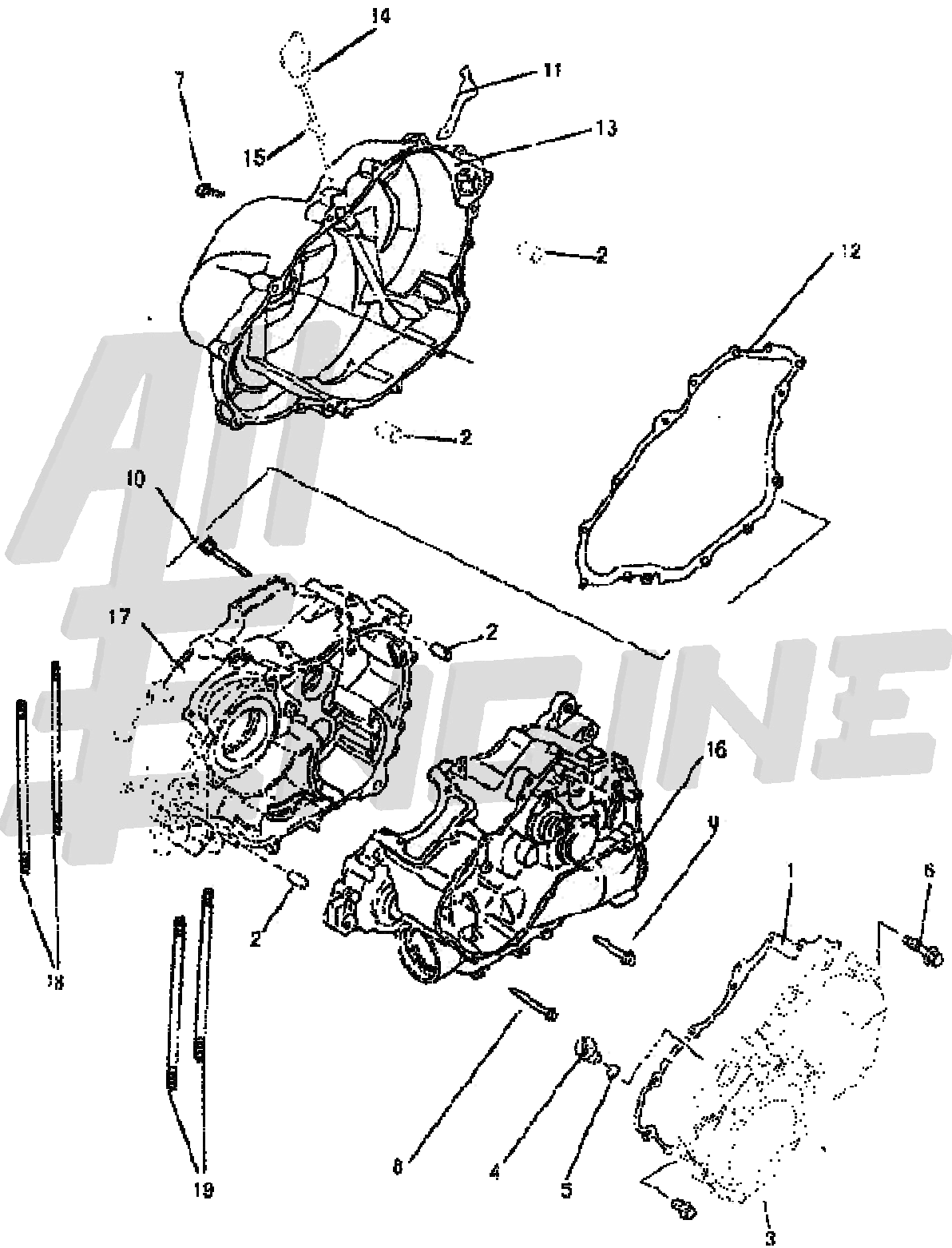
三、 曲柄连杆机构
CRANK CONNECT ROD MECHANISM



三、曲柄连杆机构(CRANK CONNECT ROD MECHANISM)

Ref.no	Part.no	Description	Q'TY	
1	F3-210000-0	曲柄连杆总成	Crank connect rod assy	1
2	F3-200702-0	弹簧	Spring	6
3	F3-200004-0	弹簧销	Spring pin	3
4	F3-200302-0	平衡轴驱动齿轮	Balance shaft drving gear	1
5	F3-200401-0	垫圈	Washer	1
6	GB/T819.1	螺钉M6*18-Zn5.D	Screw M6*18-Zn6.D	3
7	F3-200402-0	压板1	Pressure plate 1	1
8	GB/T276	轴承6203	Bearing 6203	1
9	F3-202000-0	油封	Oil seal	1
10	F3-230000-0	平衡轴总成	Balance shaft	1
11	GB/T276	轴承6205	Bearing 6205	2
12	F3-200301-0	平衡轴齿轮	Balance shaft gear	1
13	F3-200003-0	平键	Flat key	1
14	GB/T819.1	螺钉M6*16-Zn 5.D	Screw M6*16-Zn5.D	12
15	F3-200403-0	压板2	Pressure plate2	1
16	F3-200404-0	锁紧垫圈	Locking washer	1
17	F3-200851-0	螺母	Nut	1
18	F3-200002-0	半圆键	Woodruff key	1
19	F3-220201-0	活塞	Piston	1
20	F3-220001-0	活塞环1	Piston ring 1	1
21	F3-220002-0	活塞环2	Piston ring 2	1
22	F3-221000-0	油环组合	Oil ring assy	1
23	F3-200001-0	活塞销	Piston pin	1
24	F3-200701-0	挡圈	Circlip	2
25	F3-201000-0	汽缸体组合	Cylinder unit	1
26	F3-100604-0	减震块	Damer	12
27	F3-200801-0	汽缸体垫片	Cylinder shim	1
28	Q/JR YP96-2000	定位销99510-14016	Alignment pin 99510-14016	1
29	F3-200002-0	定位销	Aligment pin	1
30	F3-200601-0	定位销 O形圈	Alignment pin o ring	1
31	GB/T70.1	螺钉M6*30-10.9-Zn.5D	Screw M6*10-9-Zn.5D	2
32	F3-600301-0	油泵驱动齿轮	Oil pump driving gear	1

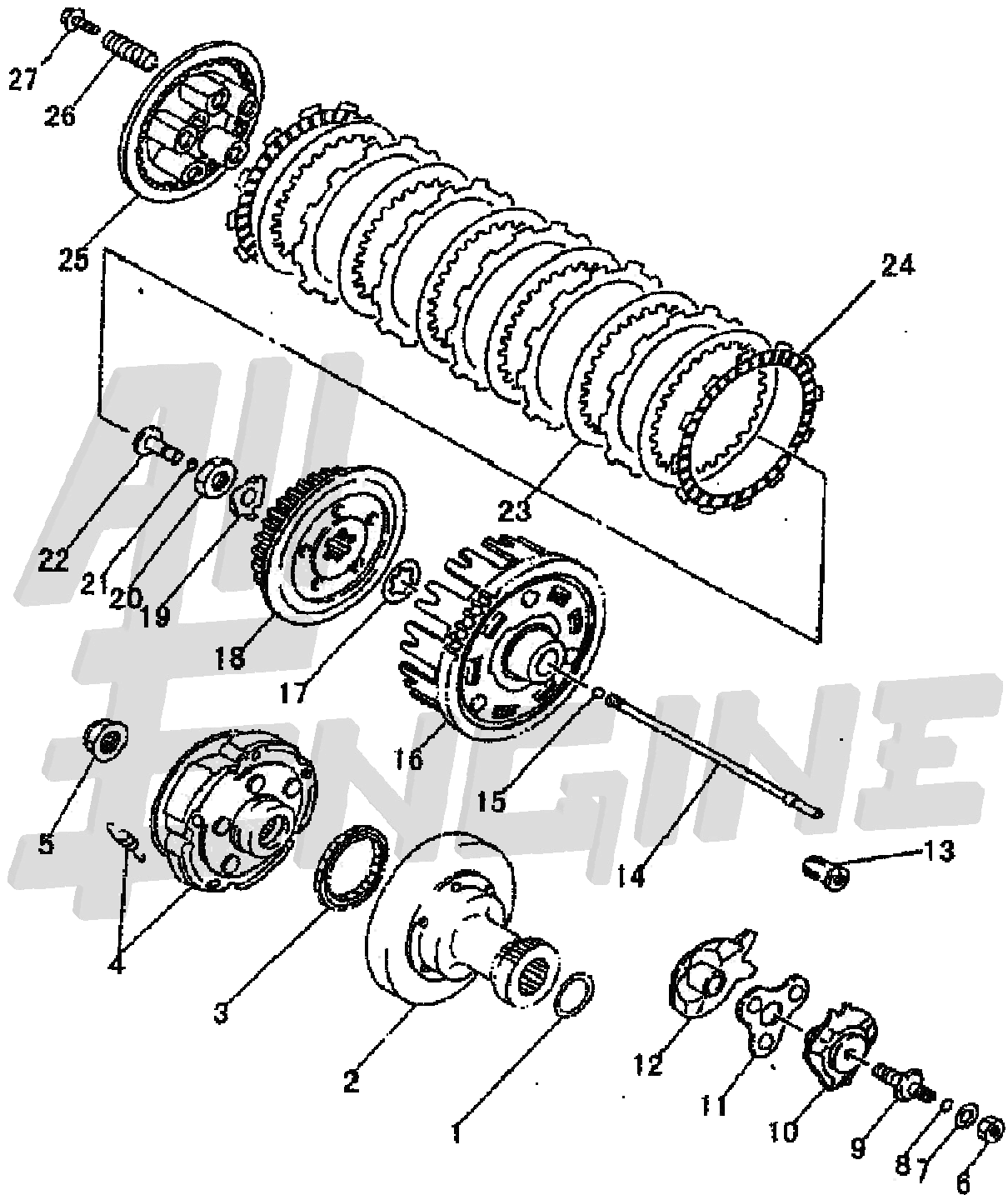
四、 曲轴箱总成
CRANKCASE BODY PART



四、曲轴箱总成(CRANKCASE BODY PART)

Ref.no	Part.no	Description	Q'TY	
1	F3-300801-0	左曲轴箱密封垫	Left crankcase cover gasket	1
2	F3-300001-0	定位销10*14	Alinhment pin 10*14	6
3	F3-330000-0	左曲轴箱盖总成	Left cranlcase cover assy	1
4	ZAI-300203-0	观察视孔	Observe hole cover	1
5	ZAI-300604-0	O形圈	o-ring	1
6	Q/JR YP80-2000	螺栓 95026-06030	Bolt 65026-06030	27
7	Q/JR YP80-2000	螺栓95026-06040	Bolt 95026-06040	2
8	Q/JR YP80-2000	螺栓95026-06060	Bolt 95026-06060	2
9	Q/JR YP80-2000	螺栓95026-06050	Bolt 95026-06050	9
10	GB/T 70.1	螺钉M8*10-9-Zn.5D	Screw M8*60-10.9-Zn5.D	3
11	F3-300401-0	倒档拉筋支架	Bracket of reverse gear rope	1
12	F3-300802-0	右曲轴箱盖密封垫	Right crankcase cover gasket	1
13	F3-340000-0	右曲轴箱盖总成	Right crankcase cover assy	1
14	F3-301000-0	油尺	Oil dipstick	1
15	ZAI-300601-0	O形圈	o-ring	1
16	F3-310000-0	左曲轴箱总成	Left crankcase assy	1
17	F3-200000-0	右曲轴箱总成	Right crankcase assy	1
18	F3-300851-0	双头螺栓	Double -head screw	2
19	F3-300852-0	双头螺栓	Double head screw	2

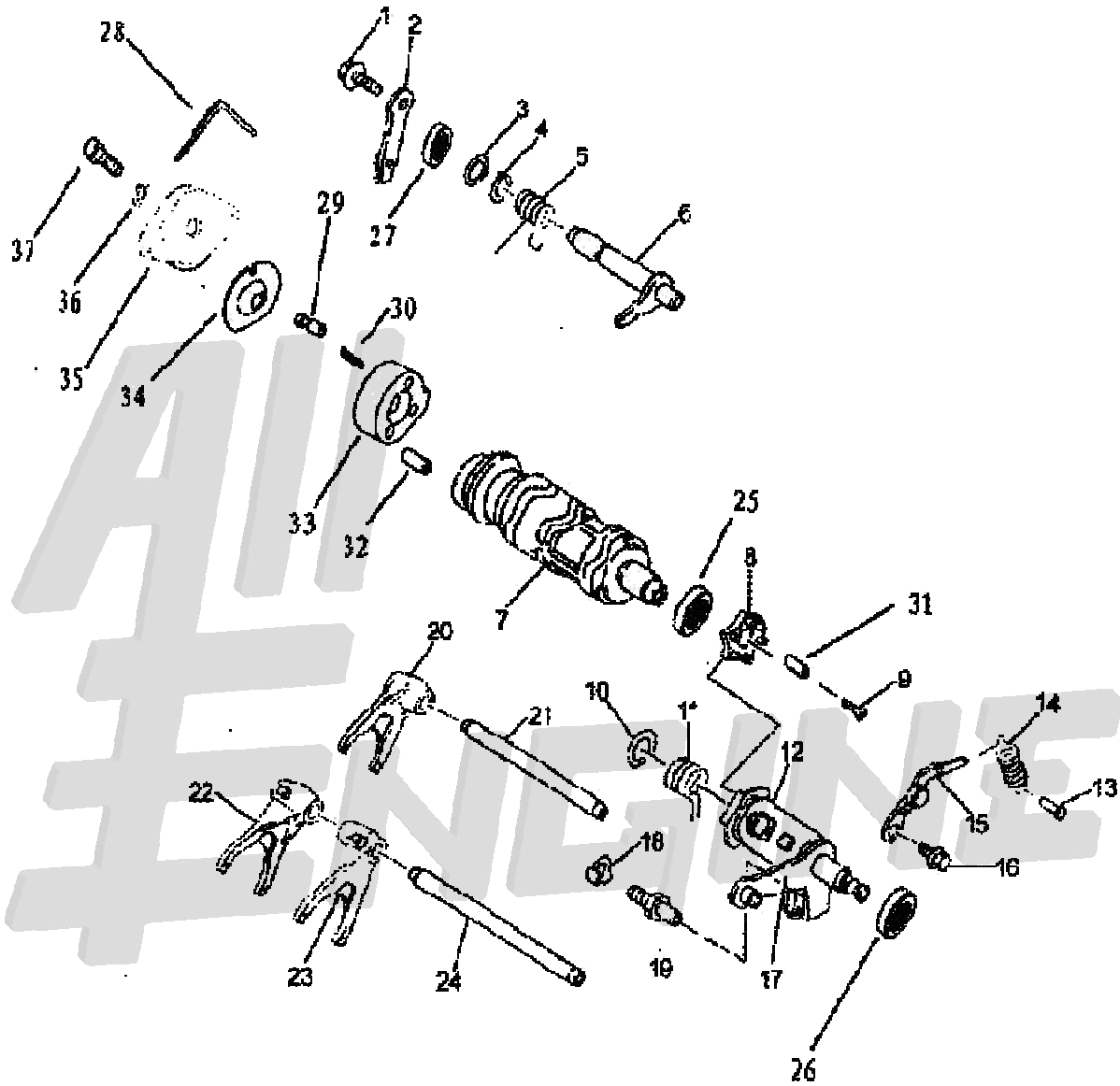
五、 离合器
CLUTCH



五、离合器(CLUTCH)

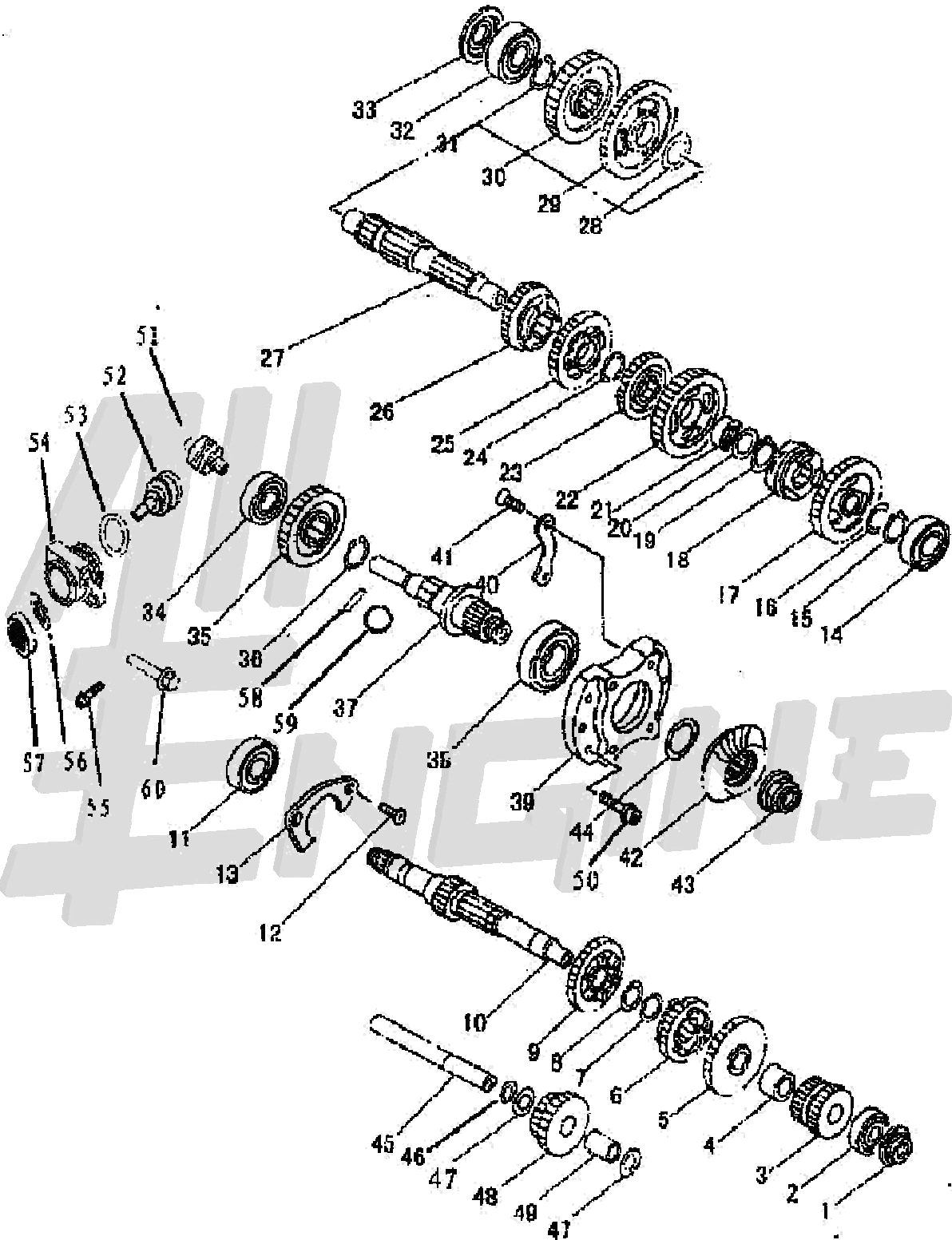
Ref.no	Part.no	Description	Q'TY
1	F3-400401-0	主离合器垫圈 Main clutch washer	1
2	F3-411000-0	主离合器罩组合 Main clutch case assy	1
3	F3-413000-0	超越离合器 Overreach clutch	1
4	F3-414000-0	主离合器蹄块总成 Pin clutch shoe assy	1
5	F3-400851-0	螺母 Nut	1
6	GB6170	螺母 M8-Zn5.D Nut M8-Zn5.D	
7	GB/T 97.1	垫圈8-Zn8.D Washer 8-Zn8.D	1
8	FG-400601-0	O形圈 O-ring	1
9	F3-400852-0	离合器调节螺钉 Clutch adjusting screw	1
10	F3-404000-0	下凸轮板组合 Lower cam plate assy	1
11	F3-403000-0	刚球架组合 Steel ball bracket assy	1
12	F3-402000-0	上凸轮板组合 Upper cam plate assy	1
13	F3-400501-0	辅助衬套 Assistant bush	1
14	F3-401000-0	推杆组合 Rod push ass y	1
15	GB/T 308	刚球8.731 G100b Steel ball 8.731G100b	1
16	F3-421000-0	离合器齿轮组合 Clutch gear assy	1
17	F3-420402-0	花键垫圈 Spline washer	1
18	F3-423000-0	离合器轮毂组合 Clutch hub assy	1
19	F3-400402-0	锁紧垫圈 Locking washer	1
20	F3-200851-0	螺母 Nut	1
21	F3-400601-0	O形圈 o-ring	1
22	F3-400301-0	顶杆 Post rod	1
23	F3-420401-0	离合器片 Clutch plate	6
24	F3-422000-0	摩擦片 Friction disc	7
25	F3-420201-0	压盘 Pressure disc	1
26	F3-420701-0	离合器弹簧 Clutch spring	5
27	F3-424000-0	带垫螺栓 Bolt with washer	5

六、 操纵、换挡凸轮、拨叉机构
CONTROL SHIFT CAM MECHANISM



六、操纵、换挡凸轮、拨叉机构 (CONTROL SHIFT CAM MECH)				
Ref.no	Part.no	Description		Q'TY
1	GB/T5789	螺栓 M6*12-Zn5.D	Bolt M6*12-Zn5.D	1
2	F3-500402-0	倒档操纵板	Reverse control lever	1
3	F3-500401-0	垫圈	Washer	1
4	GB/T894.2	挡圈12	Circlip 12	1
5	F3-500701-0	扭簧	Spring	1
6	F3-501000-0	倒档操纵轴组合	Reverse shift bracket	1
7	F3-540201-0	换挡凸轮轴	Shift cam	
8	F3-500751-0	星形轮	Shift cam segment	1
9	GB/7 819.1	螺栓M6*20-Zn5.D	Bolt M6*20-Zn5.D	1
10	F3-500404-0	垫圈	Washer	1
11	F3-550702-0	扭簧	Spring	1
12	F3-530000-0	换挡轴总成	Shift shaft	1
13	CY80.01-69	弹簧拉销	Spring broaching	1
14	F3-500703-0	拉簧	Return spring	1
15	F3-560000-0	限位杠杆总成	Stopper lever	1
16	F3-500851-0	螺栓	Bolt	1
17	F3-550000-0	换挡杠杆总成	Shift lever assy	
18	F3-500408-0	扭簧销防松垫片	Torque spring pin tension gasket	
19	F3-500852-0	扭簧销	Torque spring pin tension gasket	1
20	F3-500302-0	拨叉2	Shift fork 2	1
21	F3-500002-0	短拨叉轴	Short shift fork axle	1
22	F3-500303-0	拨叉3 (R)	Shift fork 3	1
23	F3-500301-0	拨叉1 (L)	Shift fork 1	1
24	F3-500001-0	长拨叉轴	Long shift fork axle	1
25	GB/T276	轴承6003	Bearing 6003	1
26	FG-505000-0	油封	Oil seal	1
27	ZAI-402000-0	油封	Oil seal	1
28	F3-500406-0	压线板	Press wire plate	1
29	F3-540851-0	档位触头	Shaft conatct	1
30	F3-540701-0	弹簧	Spring	1
31	F3-540001-0	星形轮定位销	Star gear dowel pin	1
32	F3-540002-0	倒档限位凸轮定位销	Reverse limit cam dowel pin	1
33	F3-540751-0	倒档限位凸轮	Reverse limit cam	1
34	F3-540401-0	挡板	Fender	1
35	F3-D70000-0	挡位显示器	Fender signal	1
36	GB/T97.1	垫圈6-Zn8.D	Washer 6-Zn8.D	1
37	GB/T70.1	螺钉M6*16-Zn5.D	Screw M6*46- Zn5.D	1

七、 变速齿轮机构
SHIFT GEAR MECHANISM



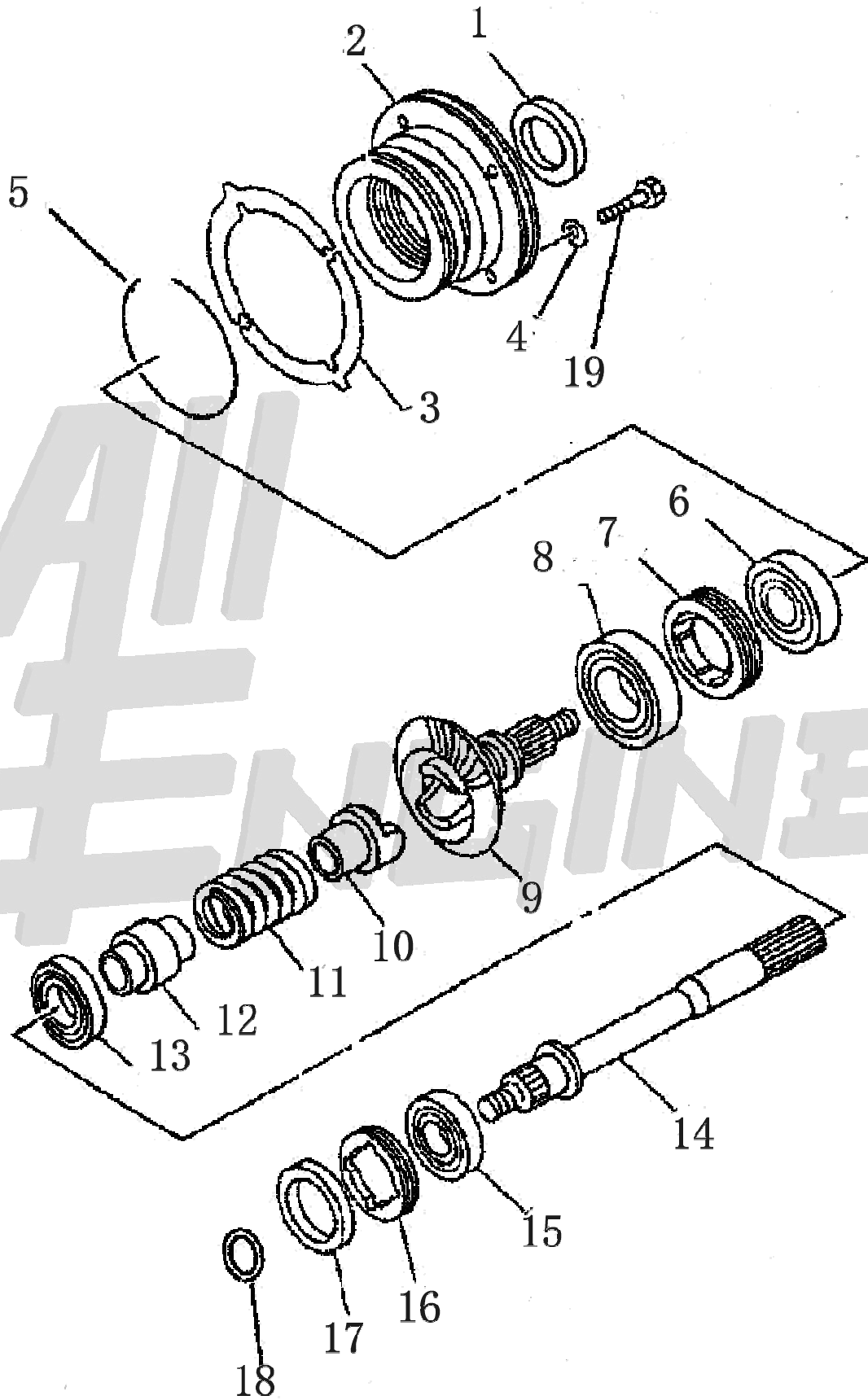
七、变速齿轮机构 (SHIFT GEAR MECHANISM)

Ref.no	Part.no	Description	Q'TY	
1	F3-503000-0	主轴油封	Main axle oil seal	1
2	GB/T 276	轴承 6203	Bearing 6203	1
3	F3-510302-0	二档主动齿轮	Shift 2 driving gear	1
4	F3-510001-0	轴套	Axle cover	1
5	F3-510305-0	五档主动齿轮	Shift 5 driving gear	1
6	F3-510303-0	三档主动齿轮	Shift 3 driving gear	1
7	F3-510401-0	挡圈	Circlip	1
8	F3-510402-0	花键垫圈	Spline washer	1
9	F3-510304-0	四档主动齿轮	Shift 4 driving gear	1
10	F3-510301-0	主轴	Main axle	1
11	F3-505000-0	轴承 (50*22*14)	Bearing (50*22*14)	1
12	GB/T 819.1	螺钉M6*16-Zn5.D	Screw M6*16-Zn5.D	2
13	F3-500403-0	主轴轴承压板	Main axle bearing pressure plate	1
14	GB/T276	轴承6204	Bearing 6204	1
15	F3-520405-0	挡圈	Circlip	1
16	F3-520406-0	垫圈	Washer	1
17	F3-524000-0	二档从动齿轮组合	Shift 2 driven gear unit	1
18	F3-524000-0	拨叉爪	Shift fork paucirclip	1
19	F3-520307-0	挡圈	Circlip	1
20	F3-520404-0	花键垫圈	Spline washer	1
21	F3-520001-0	花键衬套	Spline bush	1
22	F3-520305-0	倒档齿轮	Reverse gear	1
23	F3-520304-0	五档从动齿轮	Shift 5 driven gear	1
24	F3-520402-0	开口挡圈	Ringent circlip	1
25	F3-520302-0	三档从动齿轮	Shift 3 driven gear	1
26	F3-520303-0	四档从动齿轮	Shift 4 driven	1
27	F3-521000-0	驱动轴组合	Drive axle unit	1
28	F3-520401-0	垫圈	Washer	1
29	F3-522000-0	一档从动齿轮组合	Shift 1 driven gear	1
30	F3-520306-0	驱动齿轮	Drive gear	1
31	GB/T894.2	挡圈26	Circlip26	1
32	GB/T276	轴承6304	Bearing 6304	1
33	F3-504000-0	驱动轴油封	Driving axle oil seal	1
34	GB/T276	轴承6004	Bearing 6004	1
35	F3-570301-0	驱动过轮	Middle drive gear	1
36	GB/T894.2	挡圈26	Circlip 26	1
37	F3-570302-0	过轮轴	Middle drive shaft	1
38	GB/T276	轴承6202C2	Bearing 6202C2	1
39	F3-500202-0	过轮轴轴承座	Wheel axle bearing base	1
40	F3-500409-0	压板	Pressure plate	2
41	GB/T819.1	螺钉M8*25-Zn5.D	Screw M8*25-Zn5.D	4

42		F3-580307-0	主动锥齿轮	Driving gear	1
43		F3-580852-0	螺母M22*1	Nut M22*1	1
44		F3-580410-0	调整垫片	Adjusting gaskets	1
45		F3-500004-0	倒档轴	Reverse axle	1
46		GB/T894.2	挡圈15	Circlip 15	1
47		F3-500405-0	垫圈	Washer	2
48		F3-500306-0	倒档双连过轮	Reverse wheel gear 2	1
49		F3-500003-0	衬套	Bush	1
50		GB/T5789	螺栓M8*30-10.9-Zn5.D	Screw M8*30-10.9-Zn5.D	6
51		F3-500304-0	转速驱动齿轮	Speed driving gear	1
52		F3-500305-0	转速从动齿轮	Speed driven gear	1
53		F3-500601-0	O形圈	o-ring	1
54		F3-500201-0	转速齿轮座	Speed gear base	1
55		Q/JR YP80-2000	螺栓95026-06015	Bolt 95026-06015	1
56		F3-500407-0	垫圈	Washer	1
57		F3-502000-0	转速齿轮油封	Speed gear oil seal	1
58		F3-570001-0	传动销	Driving pin	1
59		F3-570701-0	钢丝挡圈	Steel Circlip	1
60		GB/T5782	螺栓M6*30	Bolt M6*30	1

八、输出机构

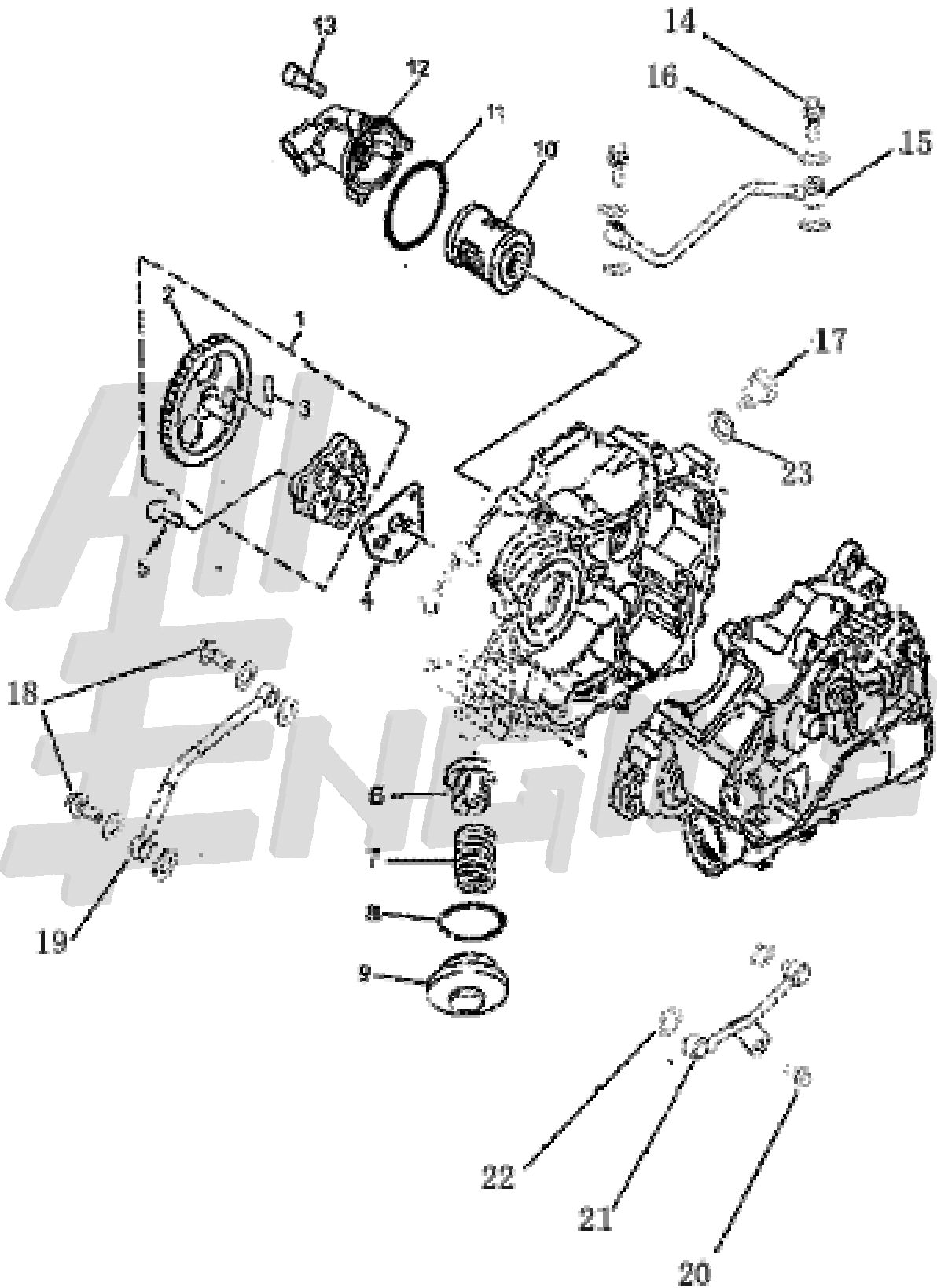
OUTPUT MECHANISM



八、输出机构 (OUTPUT MECHANISM)

Ref.no	Part.no	Description	Q'TY	
1	F3-580300-0	油封	Oil seal	1
2	F3-581201-0	后盖	Bearing housing	1
3	F3-580405-0	调整垫片	Adjusting gasket	1
4	GB97.1-85	垫圈8-Zn8.D	Washer	4
5	F3-581601-0	O形圈	o-ring	1
6	GB/T 276	轴承6305	Bearing 6305	1
7	F3-581851-0	异形螺套	Abnormal screw sleeve	1
8	GB/T276	轴承6207C3	Bearing 6207C3	1
9	F3-581301-0	从动锥齿轮轴	Middle driven pinion gear	1
10	F3-580301-0	连接爪	Connection paw	1
11	F3-580701-0	弹簧	Spring	1
12	F3-580001-0	衬套	Bushing	1
13	GB/T 276	轴承6006C3	Bearing 6006C3	1
14	F3-580302-0	传动轴 (前驱)	Middle driven shaft	1
15	GB/T 276	轴承6205	Bearing 6205	1
16	F3-580851-0	异形螺套	Abnormal screw sleeve (front driving)	1
17	F3-582000-0	油封	Oil seal	1
18	F3-580601-0	O形圈	O-RING	2
19	GB/T5782	螺栓M8*30-10.9-Zn5.D	Bolt M8*30-10.9-Zn5.D	4

八、 润滑冷却机构
LUBRICATION COOLING MECHANISEM

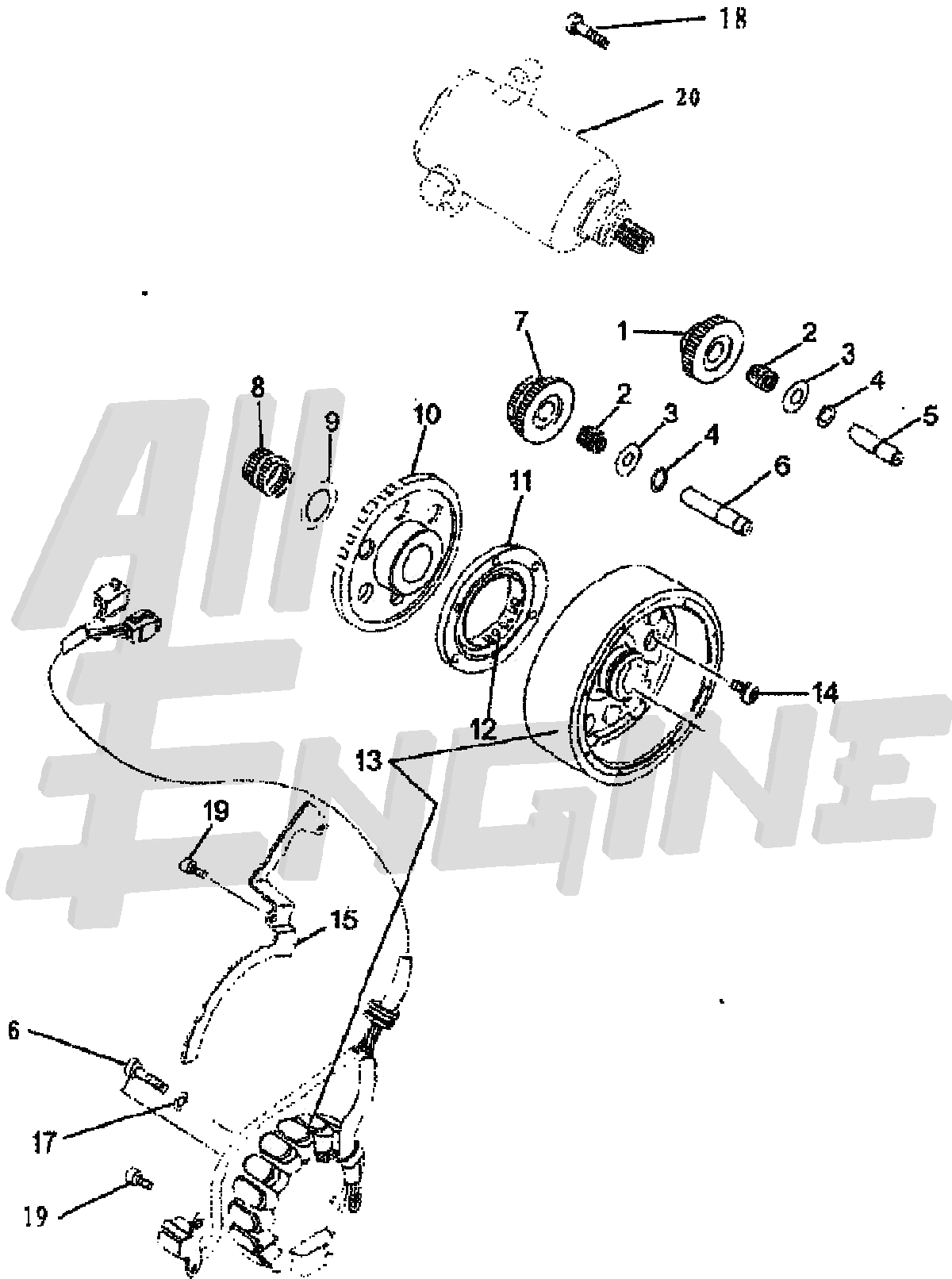


九、润滑冷却机构 (LUBRICATION COOLING MECHANISM)					
Ref.no	Part.no		Description		Q'TY
1		F3-610000-0	机油泵	Engine oil pump	
2		F3-611000-0	油泵齿轮组合	Oil pump gear unit	
3		F3-610001-0	传动销	Transmission pin	
4		FG-600801-0	油泵垫片	Oil pump pad	
5		GB/T819.1	螺钉6*30-Zn5.D	Screw M6*30-Zn5.D	
6		FG-620000-0	机油粗滤器	Engine oil coarse strainer	
7		FG-600701-0	压簧	Compressing spring	
8		FG-600601-0	O形圈	o-ring	
9		F3-610000-0	放油螺塞	Oil drain plug screw	
10		F3-630000-0	机油精滤器	Engine oil fine strainer	
11		F3-600601-0	O形圈	o-ring	
12		F3-670000-0	精滤器盖总成	Engine oil fine strainer	
13		GB/T70.3	螺钉M6*30-10.9-Zn5.D	Screw M6*30-10.9-Zn5.D	
14		F3-600851-0	螺钉M8*20	Bolt M8*20	
15		F3-601000-0	油管组合1	Oil pipe unit 1	
16		F3-600402-0	铜垫圈	Gasket	
17		F3-D80000-0	油温传感器	Oil temperature sensor	
18		F3-600852-0	螺钉M8*22	Bolt	
19		F3-602000-0	油管组合2	Oil pipe unit 2	
20		Q/TR YP802000	螺栓95026-06012	Bot 95026-06012	
21		F3-603000-0	油管组合3	Oil pipe unit 3	
22		F3-6006020-0	O形圈	o-ring	
23		FG-500405-0	垫圈	Washer	

十、手起动装置 (KICK STARTER)

Ref.no	Part.no	Description		Q'TY
1	F3-870000-0	手起动机构组合	Hand starting device	1
2	F3-872000-0	左侧盖组合	Left side cover unit	1
3	FG-870801-0	垫片	Shim	1
4	FG-873000-0	卷簧底板组合	Bottom board unit of winding spring	1
5	F3-871000-0	驱动盘组合	Drive palte unit	1
6	F3-870802-0	拉线	Tension line	2
7	FG-870702-0	扭簧	Torsion spring	2
8	FG-870851-0	驱动爪	Drive paw	2
9	GB/T896	挡圈6	Circlip 6	1
10	FG-870701-0	压簧	Compressing spring	1
11	F3-8704010-0	导向板	Guide board	1
12	FG-870001-0	螺钉销	Screw pin	1
13	FG-870601-0	启动手柄	Start lever	1
14	FG-870402-0	起动手柄盖	Start lever cover	1
15	Q/JR YP80-93	螺栓95026-06020	Bolt 95026-06020	6
16	F3-801000-0	起动棘轮组合	Starting ratchet	1
17	F3-800601-0	O形圈	o-ring	1
18	FG-870000-0	垫圈	Washer	1
19	GB/T93	垫圈	Washer	1
20	GB/T5785	螺栓M10*1.25*40	Bolt M10*1.25*40	1
21	F3-800404-0	压板2	Pressing plate	1
22	GB/T93	油封	Oil seal	1
23	F3-584000-0	轴承	Bearing	1
24	GB/T819.1	螺钉M5*16-Zn5.D	Screw M5816-Zn5.D	3
25	F3-800801-0	垫片	Washer	1

十一、电起动装置
STARTING MOTOR MECHANISM



十一、电启动装置 (STARTING MOTOR MECHANISM)

Ref.no	Part.no	Description	Q'TY
1	F3-800301-0	双连齿轮1 Start idle gear 1	1
2	F3-803000-0	滚针轴承 Bearing	2
3	F3-800401-0	垫圈 Washer	2
4	GB/T894.1	挡圈12 Circlip 12	2
5	F3-800001-0	过轮轴1 Go gear axle 1	1
6	F3-800002-0	过轮轴2 Go gear axle 2	1
7	F3-800302-0	双连过轮2 Starter idle gear 2	1
8	F3-804000-0	滚针轴承 Bearing	1
9	F3-800402-0	垫圈 Washer	1
10	F3-860000-0	电启动大齿轮组合 Gear unit of electric starter	1
11	F3-800003-0	超越离合器盘 Starter clutch plate	1
12	F3-830000-0	超越离合器 Starter clutch	1
13	F3-D50000-0	磁电机 Magneto	1
14	Q/JR YP81-2000	螺钉M8*15-10-Zn5.D Screw M8*15-10-Zn5.D	6
15	F3-800403-0	压板1 Lead holder	1
16	Q/JR YP81-2000	螺栓98512-06030 Bolt 98512-06030	3
17	GB/T93	垫圈6-Zn8.D Washer 6-Zn8.D	3
18	Q/JR YP80-2000	螺栓95026-06030 Bolt 95026-06030	2
19	GB/T70.1	螺钉M5*12-10.9-Zn5.D Screw M5*12-10.9-Zn5.D	4
20	F3-D60000-0	启动电机 Starting motor	1