

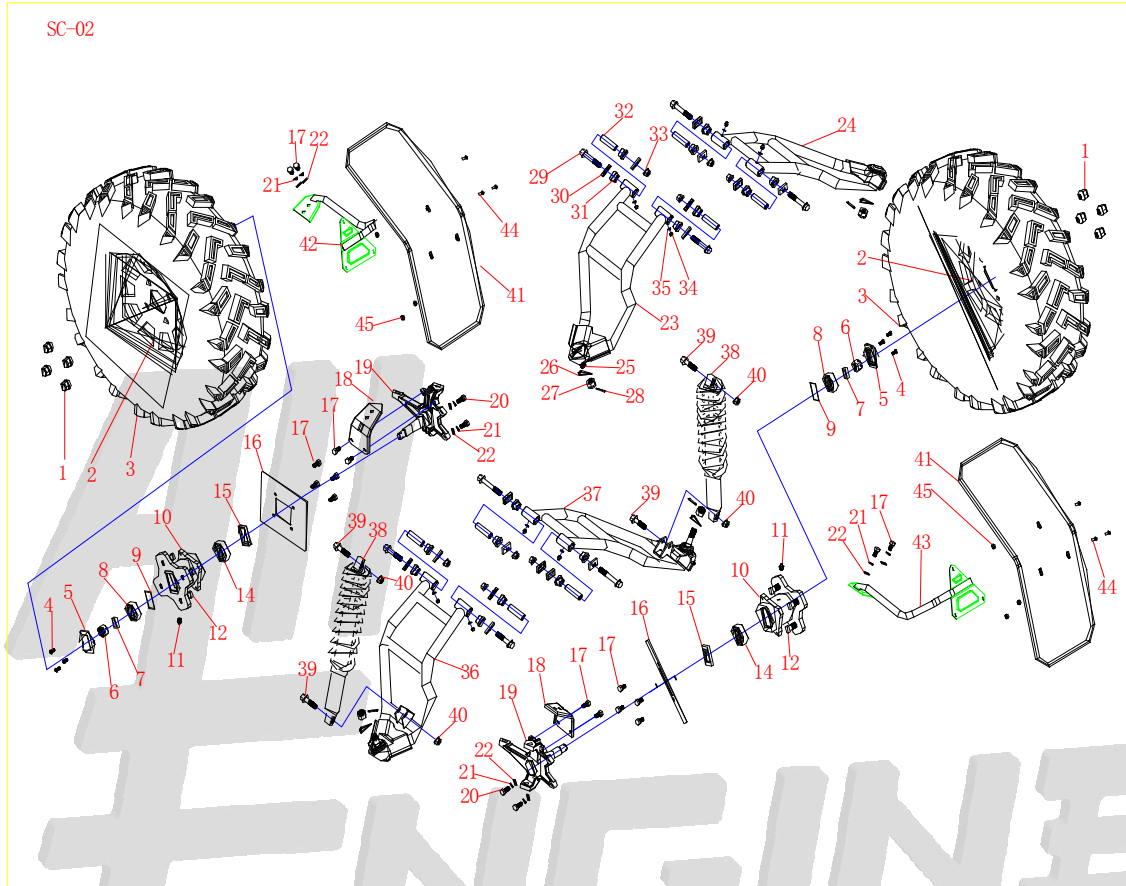
BAKUS-BEYOND

GKT400

ALL ENGINE



前悬架转向系统 PART 1 : THE FRONT SUSPENSION SYSTEM

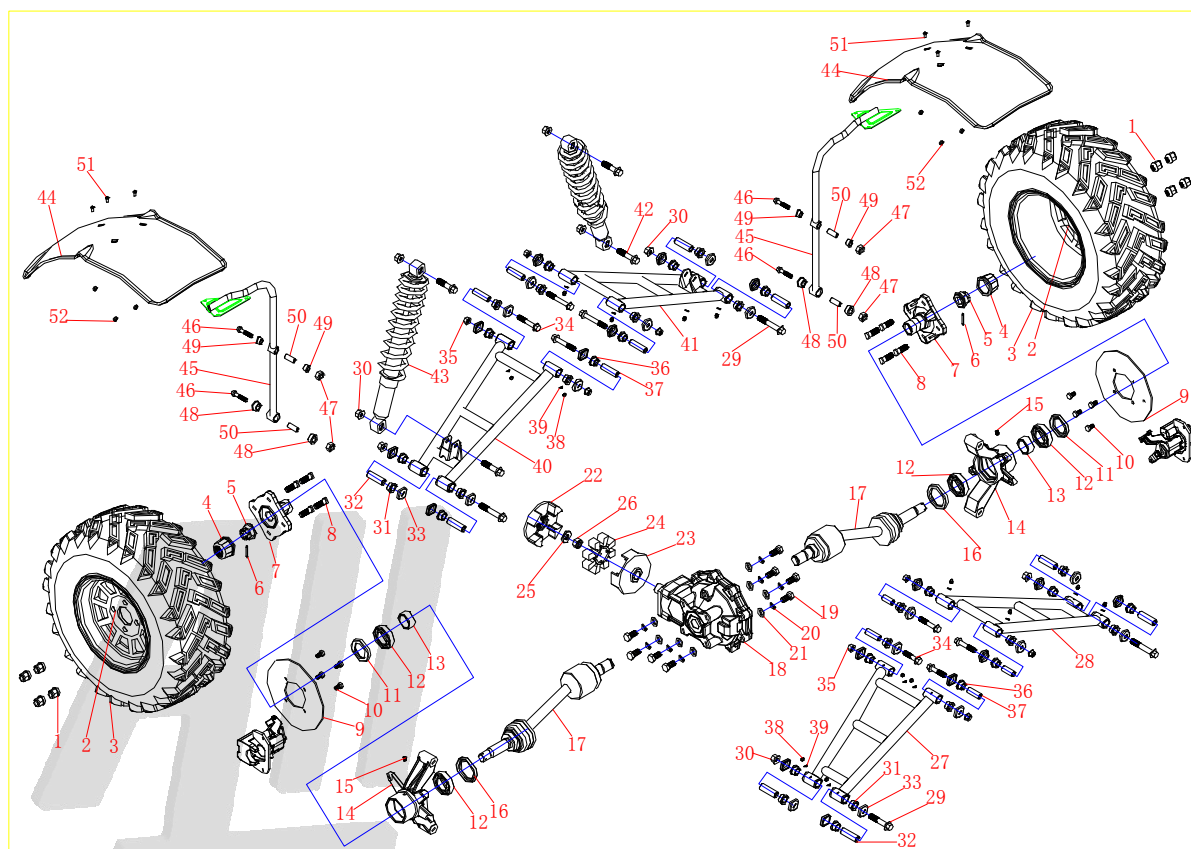


(一) 前悬架总成 PART 1 : THE FRONT SUSPENSION ASSY

| REF | PART NO. | CHINESE | ENGLISH | Q'TY |
|-----|-------------------|----------------|----------------------------|------|
| 1 | ZLM12*1.25. A0211 | M10x1.25金属自锁螺母 | NUT M10x1.25 | 8 |
| | | 前轮毂(沙漠) | FRONT WHEEL RIM (DESERT) | 2 |
| | | 前轮毂(越野) | FRONT WHEEL RIM (OFF ROAD) | 2 |
| 2 | 260L00295 | 前轮毂(公路) | FRONT WHEEL RIM (STREET) | 2 |
| | | 前轮胎(沙漠) | FRONT WHEEL (DESERT) | 2 |
| | | 前轮胎(公路) | FRONT WHEEL (STREET) | 2 |
| 3 | 260L00303 | 前轮胎(越野) | FRONT TIRE (OFF ROAD) | 2 |
| 4 | SLM5*10 | M5x12十字盘头螺钉 | SREW M5*12 | 6 |
| 5 | 260L00257 | 防尘盖 | DUSTPROOF COVER | 2 |
| 6 | KLM16*1.5 | M16x1.5开槽螺母 | CASTLE NUT M16*1.5 | 2 |

| | | | | |
|----|------------------|---------------------|---|----|
| 7 | A021108.01J | 隔圈 | SPACER | 2 |
| 8 | ZC30204 | 圆锥滚子轴承30204 | BEARING30204 | 2 |
| 9 | YF45*2.65 | O形圈 45x1.8 | O RING 45*1.8 | 2 |
| 10 | A021108.07Z.01F | 前轮法兰 | FRONT WHEEL HUB | 2 |
| 11 | YZM8 | 油嘴M8x1 | OIL NIB M8*1 | 2 |
| 12 | HLM12*1.25*35 | M12x1.25x35花键螺栓 | SPLINE BOLT M12*1.25*35 | 8 |
| 14 | ZC30205 | 圆锥滚子轴承30205 | BEARING 30205 | 2 |
| 15 | YF35*55*8 | FB油封35-55-8 | OIL SEAL 35-55-8 | 2 |
| 16 | A0211.00.032 | 前碟刹盘 | FRONT DISC BRAKE | 2 |
| 17 | LM8*16 | M8x16螺栓 | BOLT M8*16 | 16 |
| 18 | K1001.00.054P | 挡泥板支承板 | FENDER SUPPORTING PLATE | 2 |
| 19 | K100108.03Z.01FH | 左转向节焊接组件 | LEFT TURNING KNURL COMP | 1 |
| 20 | FLM8*10 | M8x20螺栓 | BOLT M8*20 | 4 |
| 21 | TDM8 | M8弹垫 | SPRING WASHER M8 | 8 |
| 22 | PDM8 | M8平垫 | FLAT WASHER M8 | 8 |
| 23 | K100108.0301ZP | 前悬架上摇臂左 | FRONT UPPER ROCKER, LEFT | 1 |
| 24 | K100108.0401ZP | 前悬架上摇臂右 | FRONT UPPER ROCKER, RIGHT | 1 |
| 25 | 21500035 | 球头组件 | BALL JOINT | 4 |
| 26 | ZYDQ38 | φ38轴用弹性挡圈 | CIRCLIPφ38 | 4 |
| 27 | KLM12*1.25 | M12x1.25-1型开槽螺母 | CASTLE NUT M12x1.25-1 | 5 |
| 28 | KKX3*30 | 3x22开口销 | COTTER PIN3*22 | 5 |
| 29 | FLM10*1.25*75 | M10x1.25x75六角法兰面螺栓 | FLANGE BOLT M10*1.25*75 | 8 |
| 30 | 260L00257 | φ10油封组件 | OIL SEAL φ10 | 16 |
| 31 | 260L00027 | φ15轴套 | SPINDLE COVERφ15 | 16 |
| 32 | A0211.10.001 | φ15衬管 | BUSH PIPEφ15 | 8 |
| 33 | NZM10*1.25 | M10x1.25六角法兰面金属自锁螺母 | LOCK NUT M10x1.25 | 12 |
| 34 | YZM6 | 油嘴M6 | OIL NIB M6 | 8 |
| 35 | TAM6 | M6弹垫 | SPRING WASHER M6 | 8 |
| 36 | K100108.0101ZP | 前悬架下摇臂左 | FRONT LOWER ROCKER , LEFT | 1 |
| 37 | K100108.0201ZP | 前悬架下摇臂右 | FRONT LOWER ROCKER , RIGHT | 1 |
| 38 | K1001.00.019 | 前减震器 | FRONT SHOCK ABSORBER | 2 |
| 39 | FLM10*1.25*40 | M10x1.25x40六角法兰面螺栓 | FLANGE BOLT M10*1.25 | 4 |
| 40 | NZM10*1.25 | M10x1.25六角法兰面金属自锁螺母 | LOCK NUT M10*1.25 | 12 |
| 41 | K1001.00.059 | 前塑料挡泥板 | FRONT PLASTIC FENDER | 2 |
| 42 | K100122.0101ZP | 前左挡泥板支承组件 | FRONT , FENDER SUPPORTING UNIT , LEFT | 1 |
| 43 | K100122.0201ZP | 前右挡泥板支承组件 | FRONT , FENDER SUPPORTING UNIT , RIGHT | 1 |
| 44 | SBLM6*16 | M6x20十字槽大盘头螺钉 | CROSS SCREW M6*20 | 6 |
| 45 | NZM6 | M6尼龙自锁螺母 | NYLON LOCK NUT M6 | 6 |

二：后悬架总成 PART 2 : REAR SUSPENSION ASSY

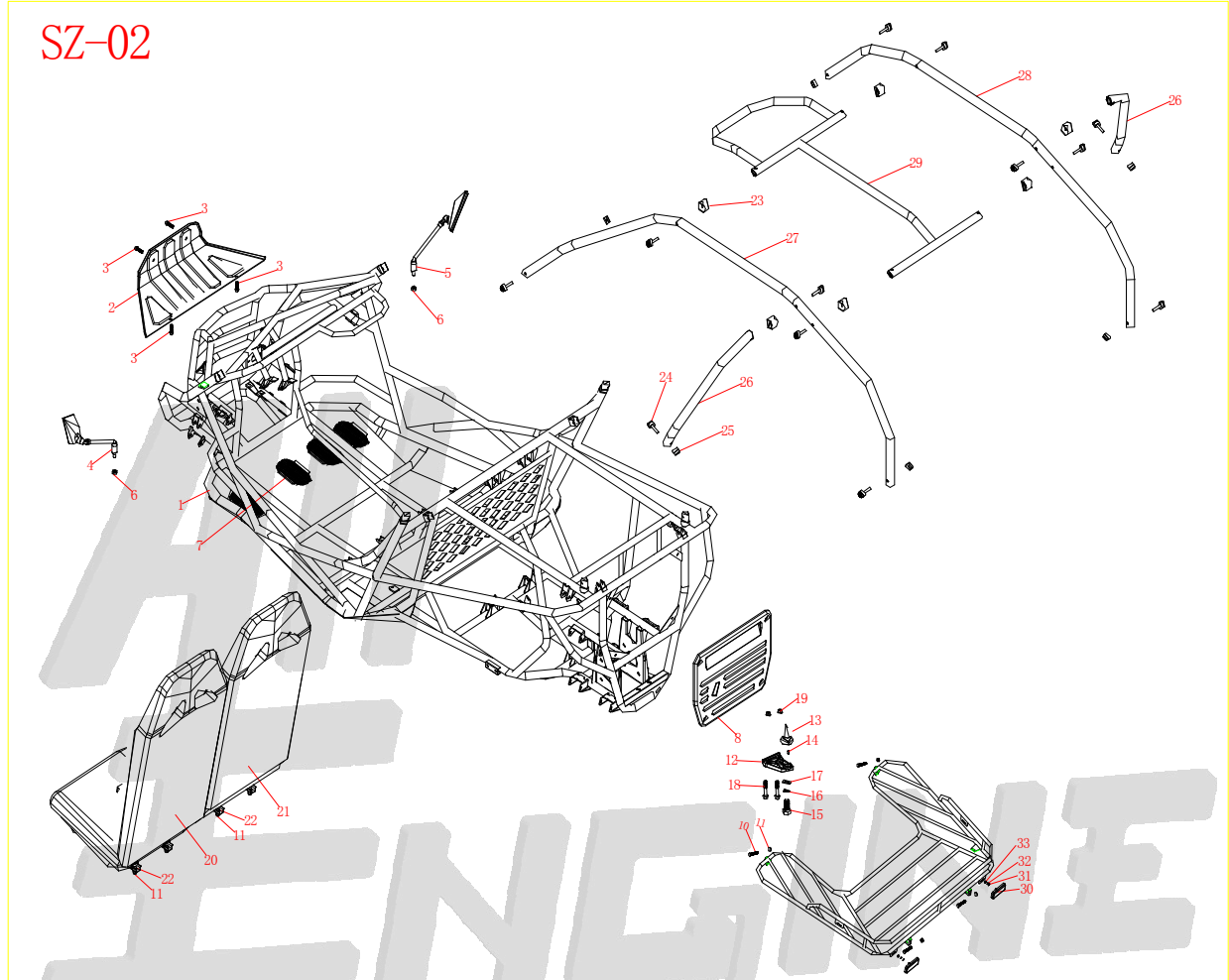


(二) 后悬架总成 PART 2 : THE REAR SUSPENSION ASSY

| REF | PART NO. | CHINESE | ENGLISH | Q'TY |
|-----|-------------------|-----------------|---------------------------|------|
| 1 | ZLM12*1.25. A0211 | M10x1.25金属自锁螺母 | LOCKNUT M10*1.25 | 8 |
| | | 后轮毂(沙漠) | REAR WHEEL RIM (DESERT) | 2 |
| | | 后轮毂(公路) | REAR WHEEL RIM (STREET) | 2 |
| | | 后轮毂(越野) | REAR WHEEL RIM (OFF ROAD) | 2 |
| 2 | 260L00296 | 后轮胎(沙漠) | REAR TIRE (DESERT) | 2 |
| 3 | 260L00304 | 后轮胎(公路) | REAR TIRE (STREET) | 2 |
| | | 后轮胎(越野) | REAR TIRE (OFF ROAD) | 2 |
| 4 | 21500022 | 橡胶装饰盖 | RUBBER DECORATE COVER | 2 |
| 5 | KKX22*1.5 | M22x1.5开槽螺母 | CASTLE NUT M22x1.5 | 2 |
| 6 | KKX4/28 | 开口销 4x28 | COTTER PIN 4x28 | 2 |
| 7 | A021110.07Z.01F | 后轮法兰 | REAR WHEEL HUB | 2 |
| 8 | HLM12*1.25*35 | M12x1.25x35花键螺栓 | SPLINE BOLT M12x1.25x35 | 8 |
| 9 | A0211.00.027 | 后碟刹盘 | DISC BRAKE ,R | 2 |
| 10 | LM8*16 | M8x16螺栓 | BOLT M8x16 | 12 |
| 11 | YF45*62*8 | 油封FB 42-62-8 | OIL SEAL FB 42-62-8 | 1 |
| 12 | 6007-Z | 深沟球轴承6007-Z | BEARING 6007-Z | 4 |
| 13 | A0211.10.015E | φ35隔套 | SPACERφ35 | 2 |

| | | | | |
|----|-------------------|---------------------|---|----|
| 14 | K1001.00.047 | 左轴承座焊接组件 | BEARING HOLDER WELDING COMP | 1 |
| 15 | STLM4*10 | M4x10十字槽半沉头螺钉 | CROSS SCREW M4x10 | 2 |
| 16 | YF50*68*8 | 油封FB 50-68-8 | OIL SEAL FB 50-68-8 | 2 |
| 17 | K1001.00.001 | YH-8001球笼 | BALL CAGE YH-8001 | 2 |
| 18 | A0211.00.112 | 减速器总成 | TRANSMISSION BOX | 1 |
| 19 | LM12*1.75*25 | M12x25螺栓 | BOLT M12x25 | 8 |
| 20 | TDM12 | M12弹垫 | SPRING WASHER M12 | 8 |
| 21 | PDM12 | M12平垫 | FLAT WASHER 12 | 8 |
| 22 | K100107.0401Z.01F | 连接发动机半联轴器 | HALF SHAFT COMP FOR CONNECTING ENGINE | 1 |
| 23 | K100107.04Z.01F | 连接减速器半联轴器 | HALF SHAFT COMP FOR CONNECTING TRANSMISSION BOX | 1 |
| 24 | 260L00216 | 弹性体(缓冲垫) | ELASTOMER | 1 |
| 25 | A0211.00.039D | 半联轴器隔圈 | HALF SHAFT COMP SPACER | 1 |
| 26 | KLM14*1.5 | M14金属自锁螺母 | LOCK NUT M14 | 1 |
| 27 | K100110.0101ZP | 后悬架左下摇臂 | REAR LOWER ROCKER ,LEFT | 1 |
| 28 | K100110.0201ZP | 后悬架右下摇臂 | REAR LOWER ROCKER ,RIGHT | 1 |
| 29 | FLM12*1.25*165 | M12x1.25x168六角法兰面螺栓 | FLANGE M12*1.25*168 | 4 |
| 30 | FLM12*1.25 | M12x1.25六角法兰面金属自锁螺母 | LOCK NUT M12*1.25 | 8 |
| 31 | A0211.00.006 | φ17轴套 | AXES COVER φ17 | 16 |
| 32 | A021110.01Z.02J | φ17衬管 | BUSH PIPEφ17 | 8 |
| 33 | 260L0003 | φ12油封组件 | OIL SEALφ12 | 16 |
| 34 | FLM10*1.25*75 | M10x1.25x75六角法兰面螺栓 | FLANGE BOLT M10*1.25*75 | 8 |
| 35 | NZM10*1.25 | M10x1.25六角法兰面金属自锁螺母 | LOCK NUT M10*1.25 | 8 |
| 36 | 260L00027 | φ15轴套 | AXES COVERφ15 | 16 |
| 37 | A0211.10.001 | φ15衬管 | BUSH PIPEφ15 | 8 |
| 38 | YZM6 | 油嘴M6 | OIL NIB M6 | 16 |
| 39 | TDM6 | M6弹垫 | SPRING WASHER M6 | 16 |
| 40 | K100110.0301ZP | 后悬架左上摇臂 | REAR UPPER ROCKER ,LEFT | 1 |
| 41 | K100110.0401ZP | 后悬架右上摇臂 | REAR UPPER ROCKER ,RIGHT | 1 |
| 42 | LM12*50 | M12x1.25x55六角法兰面螺栓 | FLANGE BOLT M12*1.25*55 | 4 |
| 43 | K1001.00.020 | 后减震器总成 | REAR SHOCK ABSORBER | 2 |
| 44 | K1001.00.060 | 后塑料挡泥板 | REAR PLASTIC FENDER | 2 |
| 45 | | 后挡泥板支承组件(左右) | REAR FENDER | 2 |
| 46 | LM8*45 | M8x40六角法兰面螺栓 | SPRING WASHER M8 | 2 |
| 47 | NZM8*1.25 | M8尼龙自锁螺母 | NYLON LOCK NUT M8 | 2 |
| 48 | K100317.13Z.02S | φ22轴套 | AXES COVERφ22 | 2 |
| 49 | 7.010.003 | φ16轴套 | AXES COVERφ16 | 2 |
| 50 | K100117.13Z.01J | φ12衬管 | BUSH PIPEφ12 | 2 |
| 51 | SBLM6*16 | M6x20十字槽大盘头螺钉 | CROSS SCREW M6*20 | 6 |
| 52 | NZM6 | M6尼龙自锁螺母 | NYLON LOCK NUTM6 | 6 |

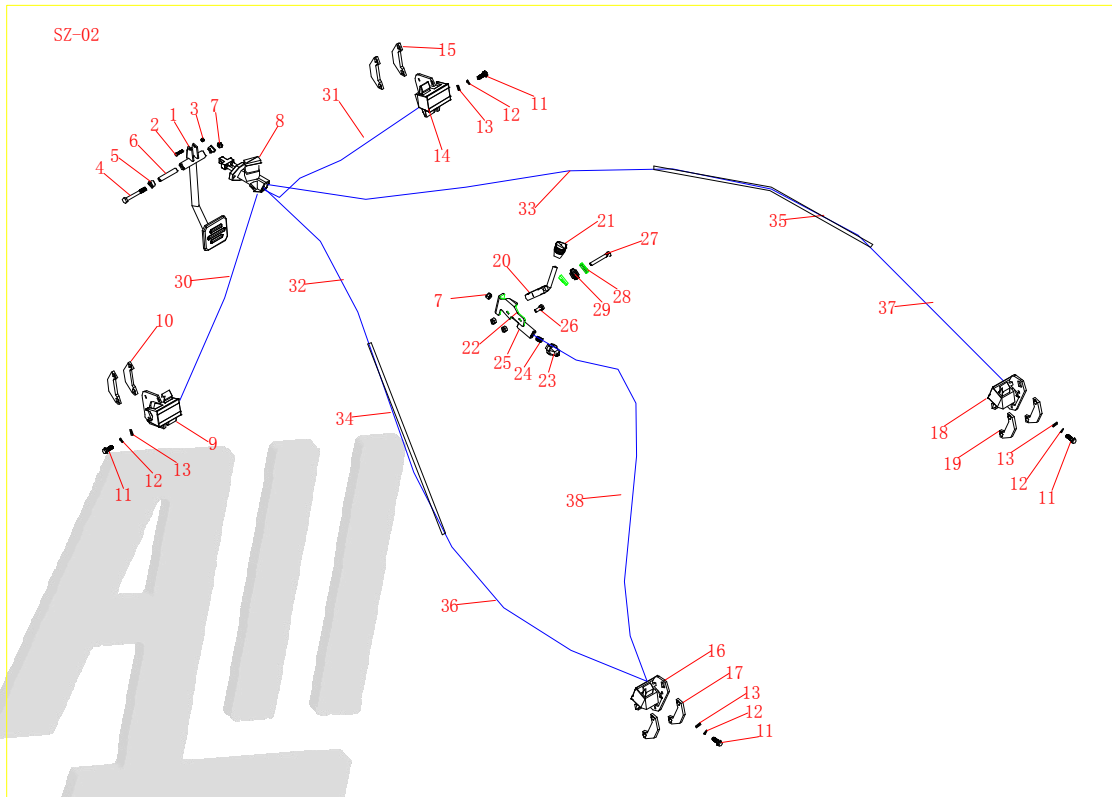
三、车架、后货架总成
PART 3 : THE FRAME AND REAR RACK ASSY



| (三) 车架、后货架总成 THE FRAME AND REAR RACK ASSY | | | | |
|---|-------------------|---------------------|-----------------------------|------|
| REF | PART NO. | CHINESE | ENGLISH | Q'TY |
| 1 | K100107P | 车架总成 | THE FRAME ASSY | 1 |
| 2 | K1001.01P | 前装饰盖板 | FRONT DECORATE PLATE | 1 |
| 3 | LM8*16 | M8X30六角法兰面螺栓 | HEXAD FLANGE BOLT M8X30 | 4 |
| 4 | K1001.00.010Z | 左后视镜 | REAR VIEW MIRROR, L | 1 |
| 5 | K1001.00.010Y | 右后视镜 | REAR VIEW MIRROR , R | 1 |
| 6 | LM10*1.25 | M10尼龙六角锁紧螺母 | HEXAD LOCKNUT M8 | 2 |
| 7 | 7.020.012 | 脚垫 | FOOT PAD | 4 |
| 8 | 1 K100117.03Z.01P | 后装饰盖板 | REAR DECORATE PLATE | 1 |
| 9 | K100120P | 后货架组件 | REAR RACK ASSY | 1 |
| 10 | LM8*35 | M8x35螺杆 | BOLT M8*35 | 4 |
| 11 | NZM8*1.25 | M8六角锁紧螺母 | HEXAD COLUMN BOLT M18X40 | 12 |
| 12 | A0211.00.014F | 拉沟 | HITCH HOOK | 1 |
| 13 | A021130.01Z | 拖球 | HITCH TOWER | 1 |
| 14 | YZX6*10 | φ6x10轴销 | AXLE PINφ6x10 | 1 |
| 15 | LM18*40 | M18X40螺杆 | BOLT M18*40 | 1 |
| 16 | TDM18 | M18弹垫 | SPRING WASHER M18 | 1 |
| 17 | PDM18 | M18平垫 | FLATWASHER M18 | 1 |
| 18 | FLM10*1.25*55 | M10x1.25x55六角法兰面螺栓 | FLANGE BOLT M10*1.25*55 | 2 |
| 19 | FLM10*1.25 | M10x1.25六角法兰面金属自锁螺母 | LOCK NUT M10*1.25 | 2 |
| 20 | K1001.00.004X | 左座椅 | LEFT SEAT | 1 |
| 21 | K1001.00.004X | 右座椅 | RIGHT SEAT | 1 |
| 22 | LM8*20 | M8x20螺杆 | BOLT M8*20 | 8 |
| 23 | 21500115 | φ32管接头 | CUSTOM BAR CAGE CAPφ32 | 6 |
| 24 | 7.010.049 | M8嵌装垫片 (配φ32管) | WASHER M8 MATCHφ32 PIPE | 12 |
| 25 | 7.010.050 | M8嵌装螺母 (配φ32管) | NUT M8 MATCHφ32 PIPE | 6 |
| 26 | K100119.03P | 蓬架支撑管 | CUSTOM CROSS BAR | 2 |
| 27 | K100119.01GP | 蓬架左主管 | CUSTOM BAR CAGE., L | 1 |
| 28 | K100119.02GP | 蓬架右主管 | CUSTOM BAR CAGE., R | 1 |
| 29 | K100119.01ZP | 工字杆总成 | CUSTOM CROSS BAR TOP | 1 |
| 30 | | 反光镜 | REAR VIEW MIRROR | 2 |
| 31 | | M5平垫 | FLAT WASHER M5 | 2 |
| 32 | | M5弹垫 | SPRING WASHER M5 | 2 |
| 33 | | M5六角螺母 | NUT M5 | 2 |

四 刹车系统总成

PART 4 : THE BRAKING SYSTEM

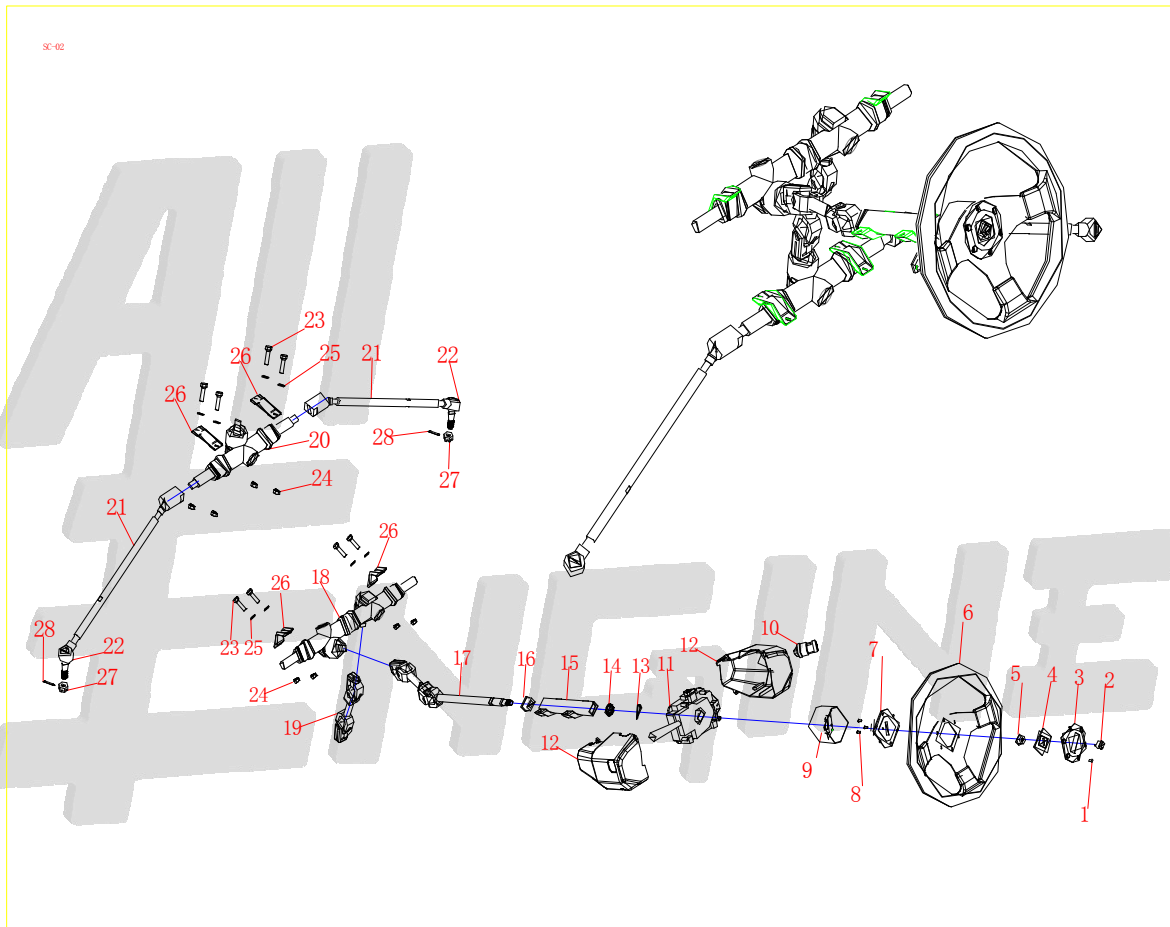


| (四) 刹车系统总成 Part 4: THE BRAKING SYSTEM | | | | |
|---------------------------------------|----------------|-----------|---------------------------|------|
| REF | PART NO. | CHINESE | ENGLISH | Q'TY |
| 1 | | 刹车踏板焊接组件 | BRAKE PEDAL JOINTING COMP | 1 |
| 2 | K100115.0201ZP | M6x30螺杆 | BOLT M6*30 | 1 |
| 3 | LM6*30 | M6六角锁紧螺母 | LOCK NUT M6 | 1 |
| 4 | NZM6 | M8x105螺杆 | BOLT M8*105 | 1 |
| 5 | FLM8*105 | φ12轴套 | AXES COVERφ12 | 2 |
| 6 | 7.010.003 | φ8套管 | BUSH PIPEφ8 | 1 |
| 7 | 8.010.015 | M8六角锁紧螺母 | LOCK NUT M8 | 4 |
| 8 | NZM8*1.25 | 刹车泵体 | BRAKE PUMP | 1 |
| 9 | K1001.00.024 | 前左碟刹钳体 | CALIPER ASSY, F,L | 1 |
| 10 | 260L00304 | 前左轮刹车片 | BRAKE PAD,F,L | 2 |
| 11 | FLM6*25 | M6x25法兰螺栓 | FLANGE M6*25 | 4 |
| 12 | PDM6 | M6平垫 | FLAT WASHER M6 | 4 |
| 13 | TDM6 | M6弹垫 | SPRING WASHER M6 | 4 |
| 14 | K1001.00.024 | 前右碟刹钳体 | CALIPER ASSY, F,R | 1 |
| 15 | 260L00304 | 前右轮刹车片 | BRAKE PAD,F,R | 2 |

| | | | | | |
|----|--|-------------------|------------------|-----------------------------------|---|
| 16 | | K1001.00.024 | 后左轮碟刹钳体 | CALIPER ASSY, R,L | 1 |
| 17 | | 260L00305 | 后左轮刹车片 | BRAKE PAD ,R ,L | 2 |
| 18 | | K1001.00.024 | 后右轮碟刹钳体 | CALIPER ASSY, R,R | 1 |
| 19 | | 260L00305 | 后右轮刹车片 | BRAKE PAD ,R,R | 2 |
| 20 | | 21500074 | 停车助动手柄焊接组件 | PARKING HANDLE JOINTING COMP | 1 |
| 21 | | 21500074 | 停车助动手柄橡胶套总成(黑色) | PARKING HANDLE RUBBER COVER | 1 |
| 22 | | 21500074 | 停车助动固定座 | PARKING HOLDER | 1 |
| 23 | | | 调节螺母 | ADJUSTING NUT | 1 |
| 24 | | | 拉簧 | SPRING | 1 |
| 25 | | 21500074 倒档手柄带 | φ8x40套管 | PIPEφ8x40 | 1 |
| 26 | | LM8*20 | M8X20六角螺栓 | BOLT8*20 | 1 |
| 27 | | LM8*60 | M8x60螺杆 | BOLT M8*60 | 1 |
| 28 | | 21500074 倒档手柄带 | 弹簧压盖 | SPRING CAP | 2 |
| 29 | | K1001.00.058 | 弹簧 | SPRING | 1 |
| 30 | | | 前左轮刹车线(1300mm) | BRAKE HOSE , F, L(1300mm) | 1 |
| 31 | | | 前右轮刹车线(1300mm) | BRAKE HOSE , F, R(1300mm) | 1 |
| 32 | | | 后左轮前端刹车线(700mm) | BRAKE HOSE , R, L(700mm) | 1 |
| 33 | | | 后右轮前端刹车线(700mm) | BRAKE HOSE , R, R(700mm) | 1 |
| 34 | | | 后左轮中间铜管(1000mm) | BRAKE CUPRUM PIPE R.L (1000MM) | 1 |
| 35 | | | 后右轮中间铜管(1000mm) | BRAKE CUPRUM PIPE, RR(1000MM) | 1 |
| 36 | | | 后左轮后端刹车线(1250mm) | BRAKE HOSE , R, L(1250mm) | 1 |
| 37 | | | 后右轮后端刹车线(1250mm) | BRAKE HOSE , R, R(1250mm) | 1 |
| 38 | | K1001.00.007 | 停车助动线 | PARKING CABLE | 1 |

五：转向系统

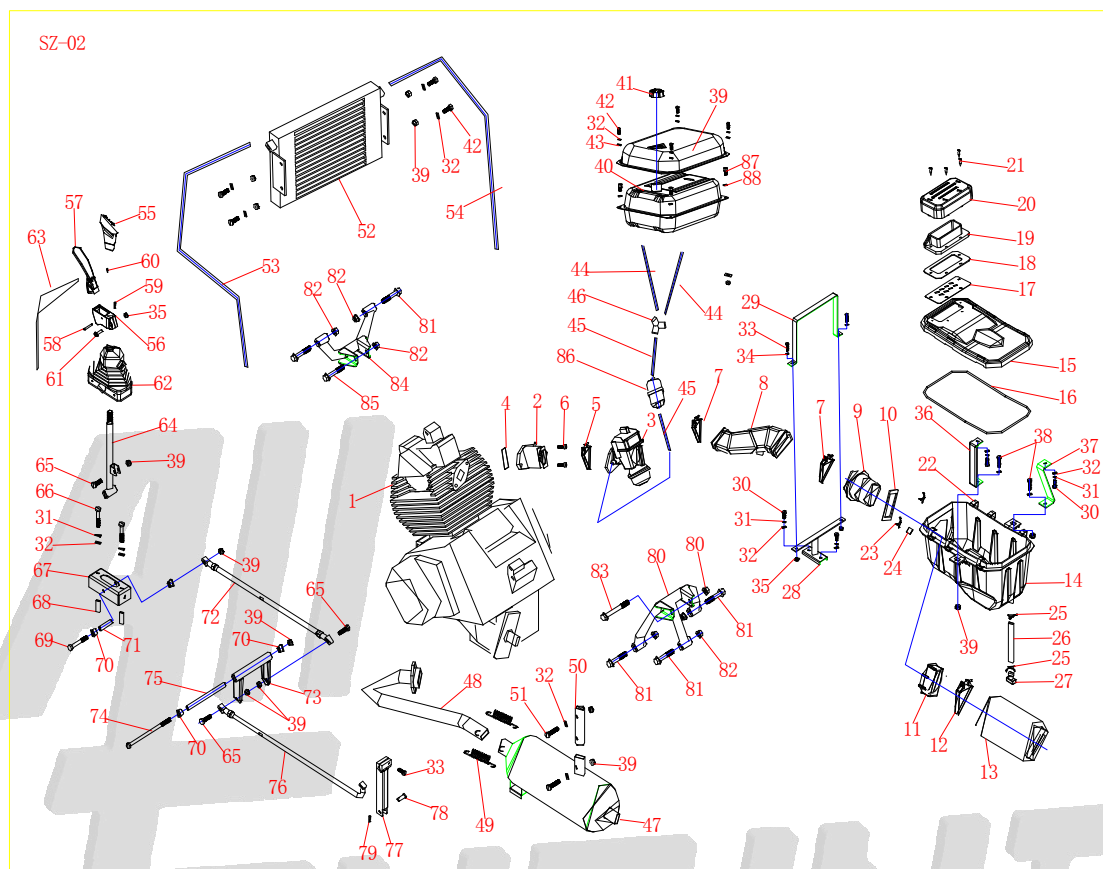
PART 5 : THE STEERING SYSTEM



| (五) 转向系统总成 PART 5 : THE STEERING ASSY | | | | |
|--|------------------|-----------------|------------------------------|-------------|
| REF | PART NO. | CHINESE | ENGLISH | Q'TY |
| 1 | SLM6*12 | M6*12螺栓 | BOLT M6*12 | 6 |
| 2 | LM12 | 开关 | SWITCH | 1 |
| 3 | K1001.00.065 | 方向盘上固定盖 | STEERING WHEEL FIXED CAP | 1 |
| 4 | A021108.01J | 隔圈 | SPACER | 1 |
| 5 | LM12 | M12六角法兰面螺母 | FLANGE NUT M12 | 1 |
| 6 | K1001.00.003 | 方向盘 | STEERING WHEEL | 1 |
| 7 | K100101.01.02D | 方向盘固定座 | STEERING WHEEL HOLDER | 1 |
| 8 | SLM4*10 | M4*10螺栓 | BOLT M4*10 | 3 |
| 9 | K100109.06Z.01C | 喇叭旋转接通组件 | HORN TURN CONNECTING COMP | 1 |
| 10 | K1001.00.031 | 点火开关 | IGNITION SWITCH | 1 |
| 11 | K1001.00.015 | 转向提示机构 | STEERING MACHINE | 1 |
| 12 | K1001.00.015 | 转向提示机构盖 | STEERING MACHINE CAP | 2 |
| 13 | ZYDQ17 | φ17轴用弹性档圈 | CIRCLIPφ17 | 1 |
| 14 | ZC61093-2Z | 深沟球轴承61903 | BEARING 61903 | 2 |
| 15 | K100109.0101ZP | 转向杆焊接组件 | STEERING STAFF WELDING UNIT | 2 |
| 16 | K100109.01Z.01SK | 转向杆轴套 | STEERING SHAFT COVER | 1 |
| 17 | K100109.0102Z | 上连接轴组件 | UPPER CONNECTING SHAFT | 1 |
| 18 | K100109.04Z | 双头转向机 | DOUBLE HEAD STEERING MACHINE | 1 |
| 19 | K100109.03Z | 下连接轴组件 | LOWER CONNECTING SHAFT | 1 |
| 20 | K100109.05Z | 单头转向机 | SINGLE HEAD STEERING MACHINE | 1 |
| 21 | K1001.00.108 | 连接杆 | CONNECTING STAFF | 2 |
| 22 | ZC。ZS87-7 | 转动球窝 | TURNING BALL AND SOCKET | 2 |
| 23 | FLM8*30 | M8*30法兰螺栓 | FLANGE BOLT M8*30 | 4 |
| 24 | LM8 | M8圆螺母 | ROUND NUT M8 | 4 |
| 25 | PDM8 | M8平垫 | FLATWASHER M8 | 4 |
| 26 | K100110.10P | U形卡 | U CARD | 4 |
| 27 | KLM12*1.25 | M12*1.25-1型开槽螺母 | CASTLE NUT M12-1.25-1 | 2 |
| 28 | KKX3*30 | 3*22开口销 | COTTER PIN 3*22 | 2 |

PART 6 : ENGINE SYSTEM

六、发动机系统



(六) 发动机系统 PART 6 : THE ENGINE SYSTEM

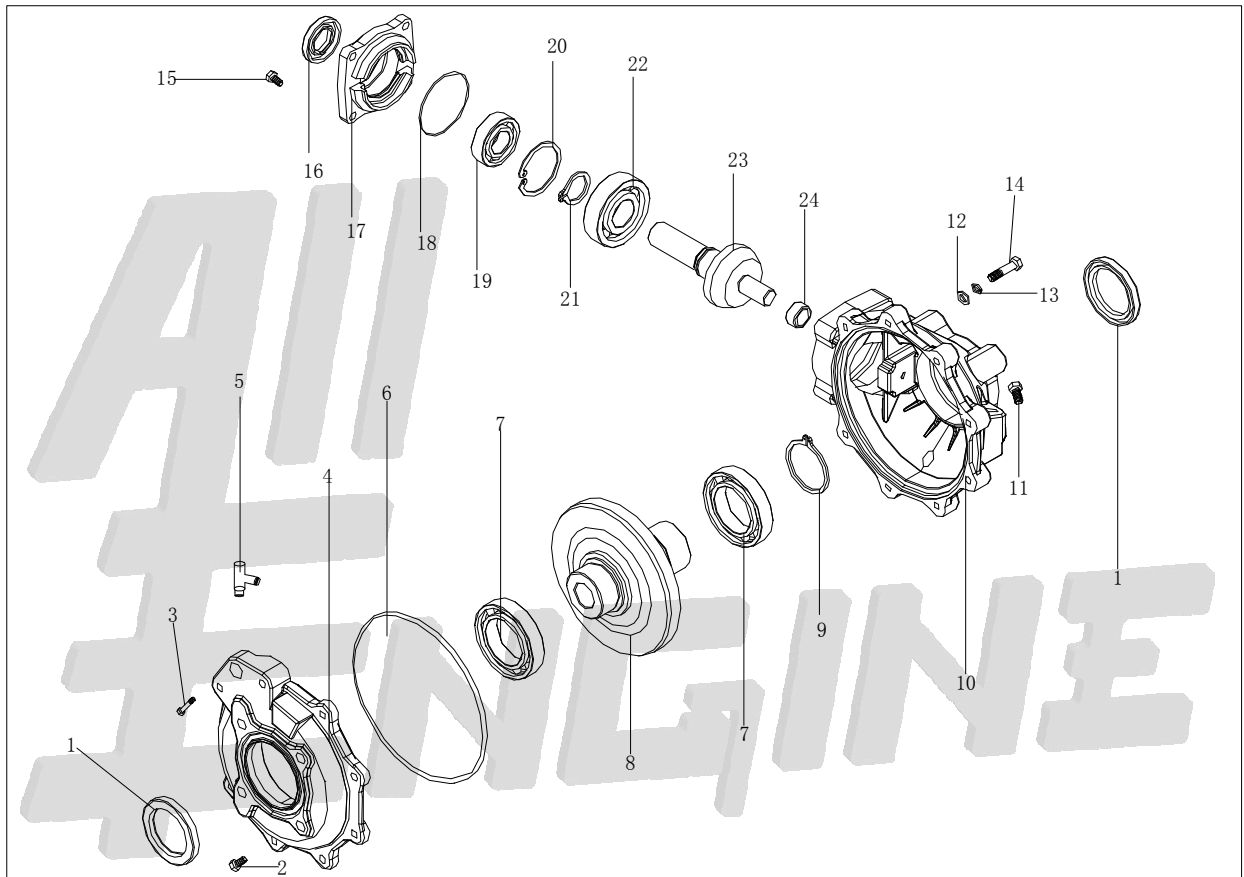
| REF | PART NO. | CHINESE | ENGLISH | Q'TY |
|-----|------------------|------------|----------------------------------|------|
| 1 | JS183FMQ.M | 发动机 | ENGINE | 1 |
| 2 | | 发动机喉管 | ENGINE THROAT PIPE | 1 |
| 3 | 2 A040114.00.015 | 化油器 | CARBURETOR | 1 |
| 4 | 5 | O形环 | O RING | 1 |
| 5 | | 喉管管夹组合 | THROAT PIPE CLIP | 1 |
| 6 | | M8x25内六角螺杆 | BOLT M8*25 | 2 |
| 7 | 5 KG51-70 | 空滤器接管管夹 | AIR CLEANER CONNECTING PIPE CLIP | 2 |
| 8 | K1001.00.030 | 空滤器接管 | AIR CLEANER CONNECTING PIPE | 1 |
| 9 | | 塑胶出气管 | PLASTIC BREATHER PIPE | 1 |
| 10 | | 空滤器出气口泡沫垫片 | AIR CLEANER BREATHER FOAM GASKET | 1 |

| | | | | | |
|----|----|---------------------|------------|---------------------------------------|----|
| 11 | | | 塑胶螺丝 | PLASTIC BOLT | 1 |
| 12 | | | 滤芯管夹组合 | FILTER CLIP COMP | 1 |
| 13 | | | 滤芯组合 | FILTER COMP | 1 |
| 14 | | K1001.00.041 | 空滤器外壳 | AIR CLEANER CRUST | 1 |
| 15 | | | 空滤器盖 | AIR CLEANER CAP | 1 |
| 16 | | | 空滤器密封圈 | AIR CLEANER GASKET | 1 |
| 17 | | | 空滤器进气调节板 | AIR CLEANER INTAKE ADJUSTING PLATE | 1 |
| 18 | | | 空滤器进气口泡沫垫片 | AIR CLEANER INTAKE FOAM GASKET | 1 |
| 19 | | | 空滤器进气喉管 | AIR CLEANER INTAKE THROAT PIPE | 1 |
| 20 | | | 空滤器进气口盖子 | AIR CLEANER INTAKE COVER | 1 |
| 21 | | | M5自攻螺丝 | SCREW M5 | 4 |
| 22 | | | 空滤器盖锁片 | AIR CLEANER COVER LOCK | 6 |
| 23 | | | 橡胶套夹 | RUBBER CLIP | 2 |
| 24 | | | 橡胶套 | RUBBER | 1 |
| 25 | | | 集尘管夹 | INTEGRATE DUST PIPE CLIP | 2 |
| 26 | | | 集尘管 | INTEGRATE DUST PIPE | 1 |
| 27 | | | 集尘管塞 | INTEGRATE DUST PIPE PLUG | 1 |
| 28 | | K100117.0501ZP | 空滤器支架 | AIR CLEANER BRACKET | 1 |
| 29 | 20 | K100117.05Z.01D | 空滤器抱箍 | AIR CLEANER HOOP | 1 |
| 30 | | LM8*16 | M8x16螺杆 | BOLT M8*16 | 4 |
| 31 | | TDM8 | M8弹垫 | SPRING WASHER M8 | 4 |
| 32 | | PDM6 | M6平垫 | FLAT WASHER M6 | 18 |
| 33 | | LM6*20 | M6x20螺杆 | BOLT M6*20 | 2 |
| 34 | | PDM6 | M6平垫 | FLAT WASHER M6 | 2 |
| 35 | | NZM6 | M6六角锁紧螺母 | LOCK NUT M6 | 3 |
| 36 | | K100117.05Z.01D | 空滤器左侧吊板 | AIR CLEANER SUSPEND PLATE ,L | 1 |
| 37 | | K100117.05Z.02D | 空滤器右侧吊板 | AIR CLEANER SUSPEND PLATE ,R | 1 |
| 3 | | LM8*25 | M8x25螺杆 | BOLT M8*25 | 2 |
| 39 | | | 油箱塑胶罩 | FUEL TANK PLASTIC COVER | 1 |
| 40 | | K100312.0101Z | 油箱组件 | FUEL TANK ASSY | 1 |
| 41 | | K1003.00.003 | 油箱盖组件 | FUEL TANK CAP | 1 |
| 42 | | LM6*20 | M6x20螺杆 | BOLT M6*20 | 4 |
| 43 | | | 油箱防震橡胶垫 | SHOCKPROOF RUBBER | 8 |
| 44 | | 260L00081K3 (110MM) | 油箱出油管 | FUEL TANK OUTFLOW HOSE | 2 |
| 45 | | 260L00081K3 (260MM) | 化油器进油管 | CARBURATOR INFLOW HOSE | 1 |
| 46 | | 260L00014 | 三通组件 | THREE CONNECTING COMP | 1 |
| 47 | | K1001.00.045P | 消声器 | MUFFLER | 1 |
| 48 | | K1001.00.044P | 排气管 | EXHAUST PIPE | 1 |
| 49 | | 260L00132 | 消声器拉簧 | MUFFLER SPRING | 2 |
| 50 | | K100113.01J | 消声器连接管 | MUFFLER CONNECTING PIPE | 1 |

| | | | | |
|----|----------------|---------------------|-----------------------------------|---|
| 51 | LM8*40 | M8x40螺杆 | BOLT M8*40 | 2 |
| 52 | A040114.00.113 | 油冷器组件 | OIL COOLING COMP | 1 |
| 53 | K1001.00.034 | 油冷器左油管 | OIL COOLING HOSE ,L | 1 |
| 54 | K1001.00.035 | 油冷器右油管 | OIL COOLING HOSE ,R | 1 |
| 55 | K1001.00.013 | 换挡手把 | GEARS SHIFT HANDGRIP | 1 |
| 56 | K1001.00.032 | 倒档手把固定座 | GEARS SHIFT HANDGRIP HOLDER | 1 |
| 57 | K1001.00.032 | 倒档手把 | REVERSE HANDGRIP | 1 |
| 58 | XZ4*30 | 带孔B型%%c4x30轴销 | AXLE PIN 4x30 | 1 |
| 59 | KKX1.6*12 | 开口销 1.6x12 | COTTER PIN 1.6*12 | 1 |
| 60 | K100121.02C | 开口挡片 | COTTER BLOCK PLATE | 1 |
| 61 | SLM6*16 | M6x20十字槽盘头螺钉 | CROSS SCREW M6*20 | 1 |
| 62 | K1001.00.066 | 换挡固定座护套 | GEARS SHIFT HOLDER JACKET | 1 |
| 63 | K1001.00.006 | 倒档控制线 | REVERSE CONTROL CABLE | 1 |
| 64 | K100121.0101ZP | 换挡手把组件 | GEARS SHIFT HANDGRIP COMP | 1 |
| 65 | LM8*30 | M8x30螺杆 | BOLT M8*30 | 3 |
| 66 | LM8*50 | M8x50螺栓半牙 | BOLT M8*50 | 2 |
| 67 | K1001.00.053P | 换挡固定座 | GEARS SHIFT HOLDER | 1 |
| 68 | K100121.01GD | φ12x1.5-32隔套 | SPACERφ12x1.5-32 | 2 |
| 69 | LM8*60 | M8x60螺栓半牙 | BOLT M8*60 | 1 |
| 70 | 7.010.003 | 尼龙衬套 | NYLON BUSH | 4 |
| 71 | K100121.01D | φ12x2-42衬管 | BUSH PIPEφ12x2-42 | 1 |
| 72 | K100121.02Z | 前端拉杆组件 | FRONT TIF-ROD | 1 |
| 73 | K100121.0401ZP | 中间摇臂组件 | MIDDLE ROCKER | 1 |
| 74 | FLM8*110 | M8x115螺杆 | BOLT M8*115 | 1 |
| 75 | 8.010.105 | φ12x2-86衬管 | BUSH PIPEφ12x2-86 | 1 |
| 76 | K100121.03Z | 后端拉杆组件 | REAR TIF-ROD | 1 |
| 77 | K100121.05ZD | 后端摇臂组件 | REAR ROCKER | 1 |
| 78 | XZ8*25 | 带孔B型8x24轴销 | AXLE PIN 8x24 | 1 |
| 79 | KKX3*16 | 开口销 3x16 | COTTER PIN 3x16 | 1 |
| 80 | K100107.0101ZP | 发动机前下固定架焊接组件 | ENGINE LOWER FASTEN BRACKET ,F | 1 |
| 81 | FLM10*1.25*55 | M10x1.25x55六角法兰面螺栓 | FLANGE BOLT M10*1.25*55 | 5 |
| 82 | NZM10*1.25 | M10x1.25六角法兰面金属自锁螺母 | LOCK NUT M10*1.25 | 7 |
| 83 | FLM10*1.25*85 | M10*1.25*85六角法兰面螺栓 | FLANGE BOLT M10*1.25*85 | 1 |
| 84 | K100107.0102ZP | 发动机前上固定架焊接组件 | ENGINE UPPER FASTEN BRACKET ,F | 1 |
| 85 | FLM10*1.25*60 | M10x1.25x60六角法兰面螺栓 | FLANGE BOLT M10*1.25*60 | 1 |
| 86 | 260L00079 | 滤油器 | FILTER | 1 |
| 87 | LM8 | M8六角螺母 | NUT M8 | 4 |
| 88 | PDM8 | M8平垫 | FLAT WASHER M8 | 4 |

七：减速箱总成

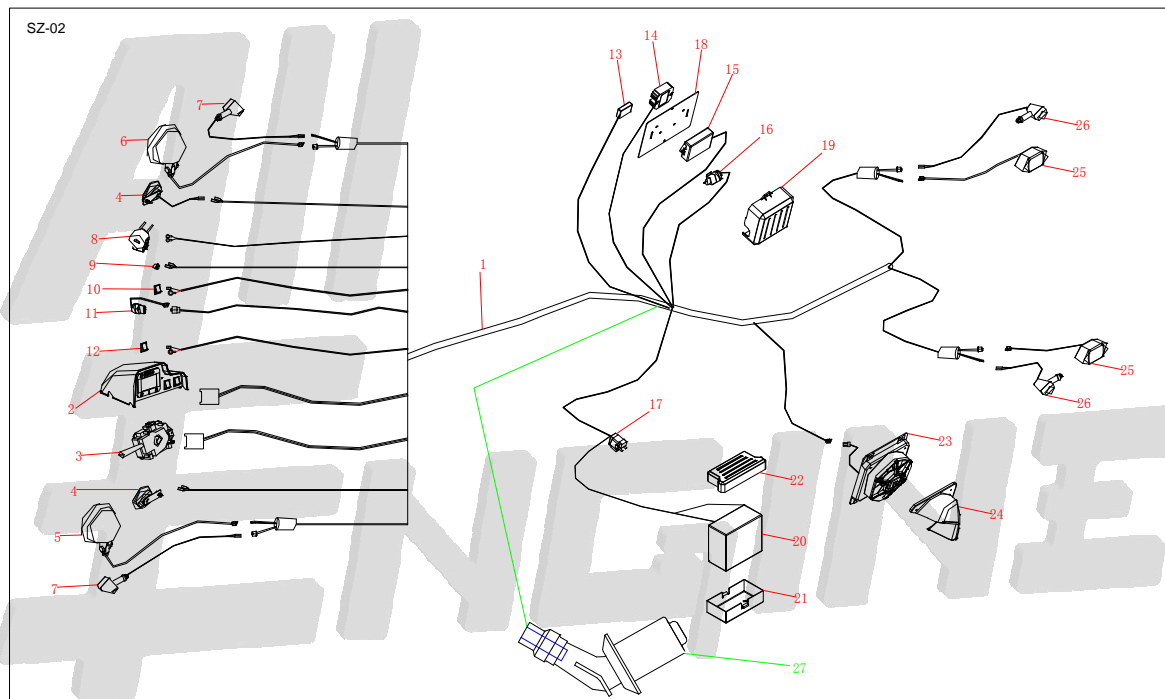
PART 7 : THE TRANSMISSION BOX ASSY



| (七) 减速箱总成 PART 7 : THE TRANSMISSION BOX ASSY | | | | |
|---|-----------------|----------------|------------------------|-------------|
| REF | PART NO. | CHINESE | ENGLISH | Q'TY |
| 1 | K1001.00.099 | 油封FW-φ50-φ70 | OIL SEALφ50-φ70 | 2 |
| 2 | | M8x30螺栓 | BOLT M8*30 | 6 |
| 3 | | M8x40螺栓 | BOLT M8*40 | 2 |
| 4 | | 箱盖 | TRANSMISSION BOX COVER | 1 |
| 5 | | 通气接头 | BREATHER JOINT | 1 |
| 6 | | 密封圈φ170X2.65 | GASKETφ170X2.65 | 1 |
| 7 | | 轴承6010 | BEARING 6010 | 2 |
| 8 | | 锥齿轮（二） | BEVEL GEAR (2) | 1 |
| 9 | | φ38轴用弹性挡圈 | CIRCLIPφ38 | 1 |
| 10 | | 箱体 | TRANSMISSION BOX BODY | 1 |
| 11 | | M12x12螺栓 | BOLT M12*12 | 2 |
| 12 | | M12平垫 | FLAT WASHER M12 | 8 |
| 13 | | M12弹垫 | SPRING WASHER M12 | 8 |
| 14 | | M12x25螺栓 | BOLT M12*25 | 8 |
| 15 | | M8x20螺栓 | BOLT M8*20 | 4 |
| 16 | | 油封FW-25-47-7 | OIL SEAL FW-25-47-7 | 1 |
| 17 | | 端盖 | SIDE COVER | 1 |
| 18 | | 密封圈φ80X2.65 | GASKETφ80X2.65 | 1 |
| 19 | | 轴承6205 | BEARING 6205 | 1 |
| 20 | | 孔用弹性挡圈52 | CIRCLIP 52 | 1 |
| 21 | | φ50轴用弹性挡圈 | CIRCLIPφ50 | 1 |
| 22 | | 轴承6306-Z(单封盖) | BEARING 6306-Z | 1 |
| 23 | | 锥齿轮（一） | BEVEL GEAR (1) | 1 |
| 24 | | 滚针轴承RNA4901 | NEEDLE BEARING RNA4901 | 1 |

八：电器总成

PART 8 : THE ELECTRIC ELEMENT ASSY



| (八) 电器总成 PART 8 : THE ELECTRIC ELEMENT ASSY | | | | |
|--|--------------------|----------------|----------------------------|-------------|
| REF | PART NO. | CHINESE | ENGLISH | Q'TY |
| 1 | K1001.00.005 | 主束线 | MAIL WIRE | 1 |
| 2 | K1001.00.016 | 组合仪表(罩) | COMBINED SPEEDOMETER COVER | 1 |
| 3 | K1001.00.015 | 组合开关 | COMBINED SWITCH | 1 |
| 4 | K1001.00.043 | 喇叭 | HORN | 2 |
| 5 | 260L00139 | 前左大灯 | HEAD LIGHT ,F,L | 1 |
| 6 | 260L00139 | 前右大灯 | HEAD LIGHT ,F,R | 1 |
| 7 | K1001.00.009Z/009Y | 前转向灯 | TURNING LIGHT ,F | 2 |
| 8 | | 制动开关 | BRAKE SWITCH | 1 |
| 9 | K1001.00.031 | 喇叭按钮 | HORN BUTTON | 1 |
| 10 | K0405.00.009 | 手动风扇开关(绿色) | MANUAL FAN SWITCH | 1 |
| 11 | 21500090 | 点火锁 | IGNITION LOCK | 1 |
| 12 | K0405.00.009 | 紧急熄火开关(红色) | EMERGENCY STOP SWITCH | 1 |
| 13 | SSC5-501000-0 | 风扇控制器 | FAN CONTROLLER | 1 |
| 14 | 260L00042 | 稳压器 | RECTIFIER®ULATOR | 1 |
| 15 | F3-D10000-0 | 点火器 | IGNITION | 1 |
| 16 | 260L00279 | 闪光继电器 | FLASHER RELAY | 1 |
| 17 | 260L00284 | 起动继电器 | START RELAY | 1 |
| 18 | K1001.00.077H | 电器板 | ELECTRIC PLATE | 1 |
| 19 | K1001.00.040 | 电器罩 | ELECTRIC COVER | 1 |
| 20 | A040114.00.002 | 电瓶 | BATTERY | 1 |
| 21 | K1001.00.012 | 电瓶盒 | BATTERY BOX | 1 |
| 22 | | 电瓶盖 | BATTERY COVER | 1 |
| 23 | K1001.00.029 | 发动机冷却风扇 | COOLING FAN | 1 |
| 24 | K1001.00.042 | 风扇罩 | FAN COVER | 1 |
| 25 | 260L00060 | 后刹车灯 | REAR BRAKE LIGHT | 1 |
| 26 | K1001.00.0102Z/Y | 后转向灯 | TURNING LIGHT ,R | 1 |
| 27 | 260L00281 | 高压包 | IGNITION COIL | 1 |